

Time Delay Chip™ Fuse Provides Superior Protection Against Inrush Currents

Offering the Highest I²T Rating
in its Class, the 3216TD Series
is Available up to 12 Amps

1. Superior Inrush Withstand Performance

The 3216TD provides top notch protection against nuisance openings. This fuse is perfect for applications in which inrush currents are a consideration.

2. Extensive Offering

The 3216TD is available up to 12A, making it one of the highest amperage time-delay offerings in a 1206 package. For fast-acting performance, the 3216FF is also available up to 20A.

3. Wire-In-Air Construction

The true wire-in-air design makes the 3216TD a high quality time-delay fuse with class leading performance.

4. Low Resistance

Benefits of the low resistance 3216TD include reduced power consumption and improved efficiency.

5. Space Savings

The compact SMD Chip™ Fuse offers a significant space savings over other SMD devices with similar performance.

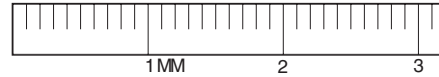


3216TD Series Chip™ Fuse Specifications



Catalog Symbol: 3216TD1-R thru 3216TD12-R

Technology: Wire-In-Air Chip™ Fuse

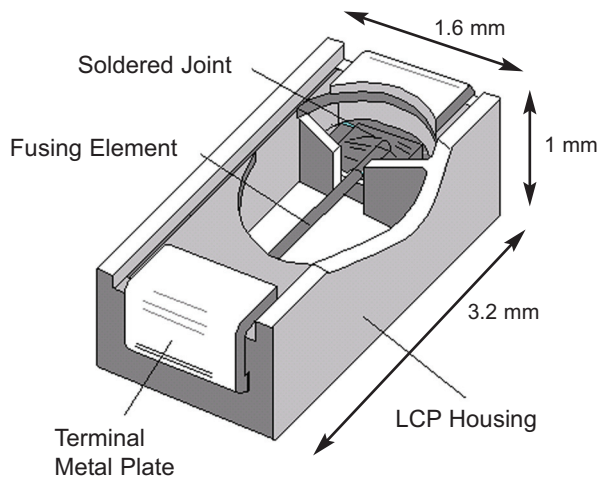


Electrical Characteristics

Rated Voltage: 32V AC/DC maximum

Interrupting Rating: 35A

Product Dimensions (mm):



The Wire-In-Air 3216TD Chip™ Fuse offers the highest inrush withstand performance of nearly all fuses in its class. It provides superior performance against nuisance openings. Available up to 12A, the 3216TD offers a very wide selection including the less common higher amperage ratings. Due to the excellent I²T performance, this fuse can often be used to replace larger time-delay SMD fuses in certain applications.

Typical Applications:

- LCD TV (Backlight Inverters)
- PDP TV
- Power Supplies
- Telecom
- Computers

% of Amp Rating	Opening Time	
	Minimum	Maximum
100	4 hour	----
200	1 second	120 second
300	0.05 second	3 second
800	0.002 second	0.05 second

Our mission is to be the first choice for target customers seeking application specific power management and protection solutions in the Digital Home & Office and Mobile Electronics world.



©2007 Cooper Bussmann • Boca Raton, FL 33487
561-998-4100 • www.cooperbussmann.com

B-SS 3216TD 2007-02

