

## Series 15188

### Disconnect Terminal Blocks for 35mm DIN Rail Mount

#### SPECIFICATIONS

**Rating:** 30A, 600V\*

**Center Spacing:** .375" (9.52 mm)

**Wire Range:** #12-16 AGW CU

**Screw Size:** #6-32 zinc plated phillslot

**Number of Poles:** 3 and 4 pole only

**Mounting:** 35mm DIN Rail

Optional End Stop NDNAS

**Jumpers:** 2 through 4 pole available

**Materials:** Molded Base: UL rated 94V-2 thermoplastic.

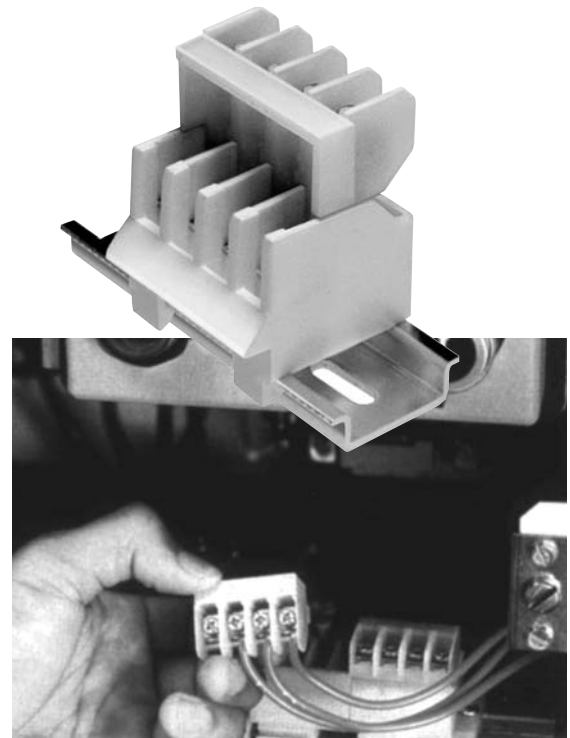
Tin plated copper alloy contacts.

**Torque Rating:** 12 in-lb

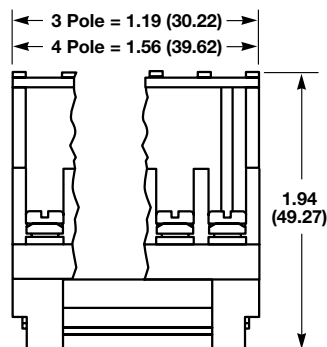
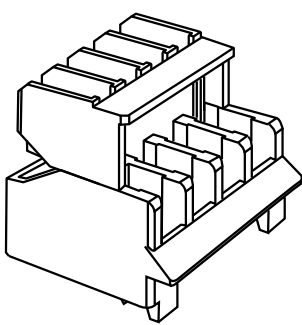
**Operating Temperature:** 105°C

**Agency Information:** UL/CSA; CE Certified

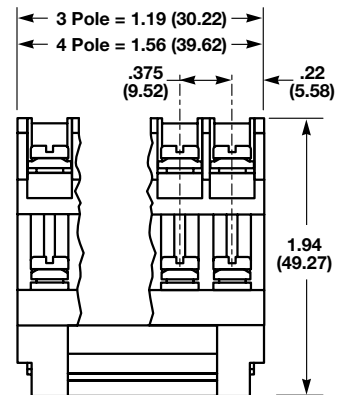
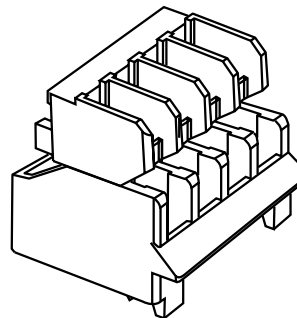
\* 30A rating achieved with #10AWG wire crimped to ring terminal; 25A without.



#### IN-LINE WIRING DIRECTION



#### REVERSE WIRING DIRECTION



Base & Rail Mount  
Connectors

## Part Numbering System

Series

1 5 1 8 8

-

Poles



3 to 4

Wiring



blank - inline  
R - reverse



S - locking snap