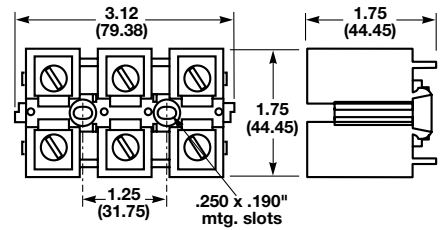


## Rail & Base Mount Terminal Blocks

### NC3

#### SPECIFICATIONS:

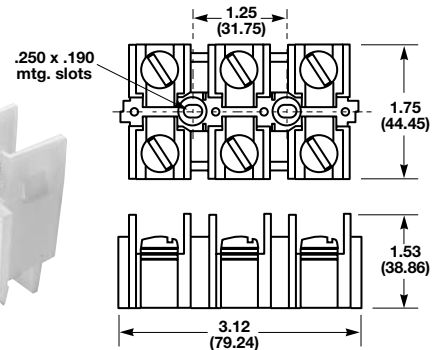
**Rating:** 175A, 600V; UL/CSA  
**Center Spacing:** 1.06" (26.92 mm)  
**Number Of Poles:** 3  
**Circuits Per Foot:** 11  
**Wire Range:** 2/0-#14 CU/AL  
**Screw Size:** 5/16-24  
**Mounting Options:** C-rail, Base Mount  
**Marking Tape:** MT12-1/2  
**Torque Rating:** 45 in-lb  
**Operating Temperature:** 105°C



### NSE3

#### SPECIFICATIONS:

**Rating:** 115A, 600V; UL/CSA  
**Center Spacing:** 1.06" (26.92 mm)  
**Number Of Poles:** 3  
**Circuits Per Foot:** 11  
**Circuit Jumper:** JNSE3, 2 circuits  
**Wire Range:** For use with wire crimped to ring terminal  
**Screw Size:** #1/4-28  
**Mounting Options:** C-rail, Base Mount  
**Marking Tape:** MT12-1/2  
**Torque Rating:** 32 in-lb  
**Operating Temperature:** 105°C



### NSS3

#### SPECIFICATIONS:

**Rating:** 30A, 600V; UL/CSA  
**Center Spacing:** .385" (9.77 mm)  
**Number Of Poles:** 3  
**Circuits Per Foot:** 28  
**Circuit Jumper:** JNSS3, 2 circuits  
**Wire Range:** For use with wire crimped to ring terminal  
**Screw Size:** #6-32  
**Mounting Options:** C-rail  
**Marking Tape:** MT12-1/2  
**Torque Rating:** 12 in-lb  
**Operating Temperature:** 105°C

