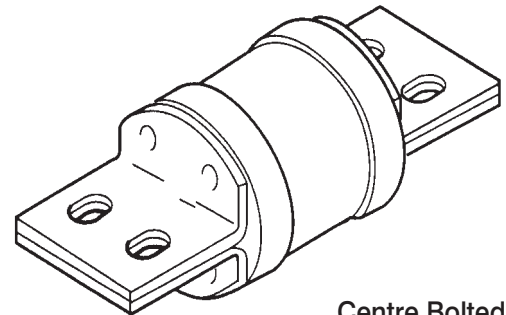
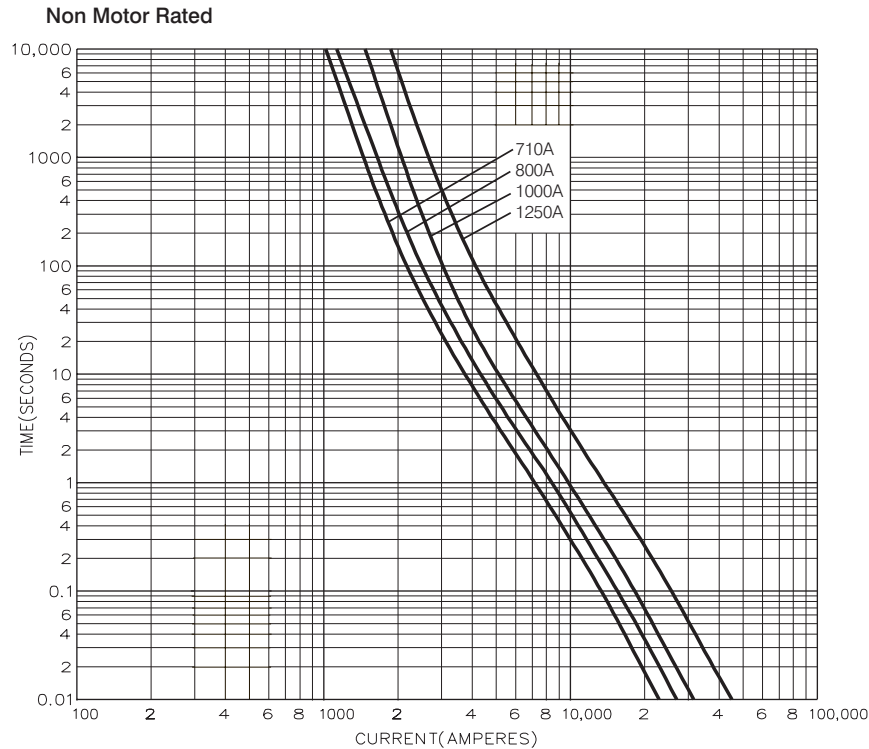


BS88, IEC269 Industrial HRC Fuse Links

Centre Bolted Tags 4 hole 550V ac 250V dc 710 to 1250 Amps

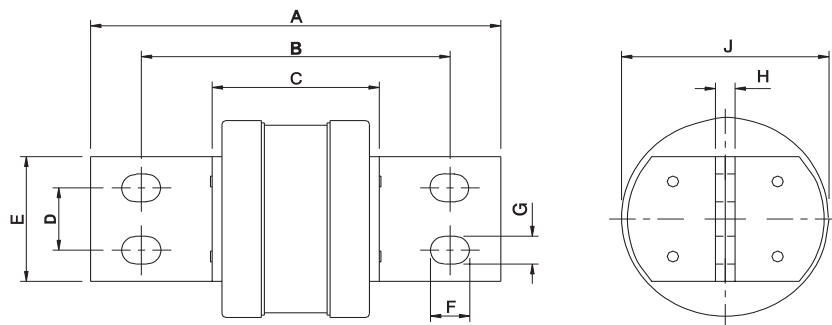
GH

Time-Current Characteristic Curves



Centre Bolted Tag

Dimensional Data



Catalog' Number	I ² t (Amps ² Seconds x 10 ³)			Nom. Watts Loss	Rated Voltage	Dimensions (mm)								
	Amp Ratings	Pre-Arcing	Total at 415V			A	B	C	D	E	F	G	H	J
GH710	710	3500	8100	53	550 ac 250 dc	198.0	149.0	81.0	32.0	63.5	19.0	14.0	9.50	83.0
GH800	800	5000	11,500	64										
GH1000	1000	6800	16,000	69										
GH1250	1250	14,000	31,000	85	100.0									

Packaging - 1 per carton

This bulletin is intended to clearly present comprehensive product data and provide technical information that will help the end user with design applications. Bussmann reserves the right, without notice, to change design or construction of any products and to discontinue or limit distribution of any products. Bussmann also reserves the right to change or update, without notice, any technical information contained in this bulletin. Once a product has been selected, it should be tested by the user in all possible applications.

Bussmann Division
Cooper (U.K.) Ltd
 Burton-on-the-Wolds
 Leicestershire, LE12 5TH
 United Kingdom
 Tel: (44) (0)1509 88 27 37
 Fax: (44) (0)1509 88 27 86

Head Office
 St. Louis, MO, U.S.A. Tel: (314) 527-3877 Fax: (800) 544-2570 International Fax: (314) 527-1445



Bussmann Information Fax (00 1) 314 527 1450
 Bussmann WEB site - <http://www.bussmann.com>