

EM2905 Series Euro-Mag Terminal Blocks

High Current; 5.00 Centers; Modular

SPECIFICATIONS

Rating: 28A, 250V

Center Spacing: .197" (5.00)

Wire Range: #12-24 AWG

Housing Material: UL rated 94V0 Thermoplastic

Contact Material: Brass Tin Plated

Cage Clamp: Brass, Nickel Plated

Screw Size: M2.6 Nickel Plated Steel

Operating Temperature: 105°C (221°F) max., -40°C (-40°F) min.

Torque Rating: 4.5 in-lb.

Recommended PCB Hole Diameters: .055" (1.40)

Construction: Modular design features dove-tails for interlocking to achieve longer lengths

Agency Information: UL/CSA; CE Certified

EM290508

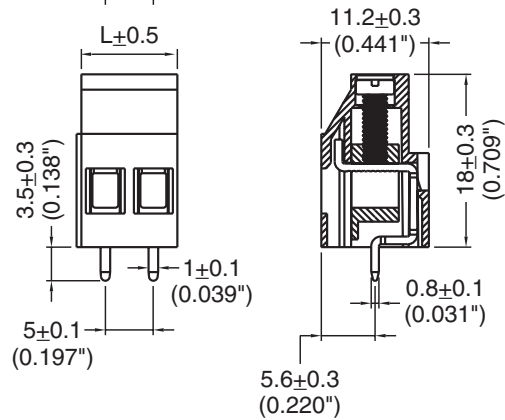
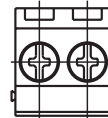
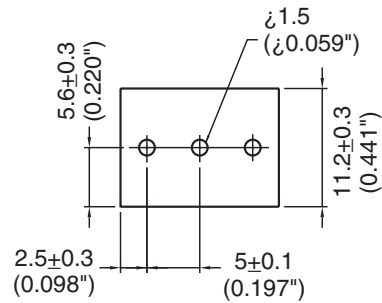


TABLE A

Poles	L (mm)	Poles	L (mm)
2	10.00	14	70.00
3	15.00	15	75.00
4	20.00	16	80.00
5	25.00	17	85.00
6	30.00	18	90.00
7	35.00	19	95.00
8	40.00	20	100.00
9	45.00	21	105.00
10	50.00	22	110.00
11	55.00	23	115.00
12	60.00	24	120.00
13	65.00		

To convert to inches, divide by 25.4

Part Numbering System

Series

EM2905

of Poles

□□

02 to 24

EM2908 Series Euro-Mag Terminal Blocks

High Current; 5.08 Centers; Modular

SPECIFICATIONS

Rating: 28A, 250V

Center Spacing: .200" (5.08)

Wire Range: #12-24 AWG

Housing Material: UL rated 94V0 Thermoplastic

Contact Material: Brass Tin Plated

Cage Clamp: Brass, Nickel Plated

Screw Size: M2.6 Nickel Plated Steel

Operating Temperature: 105°C (221°F) max., -40°C (-40°F) min.

Torque Rating: 4.5 in-lb.

Recommended PCB Hole Diameters: .055" (1.40)

Construction: Modular design features dove-tails for interlocking to achieve longer lengths

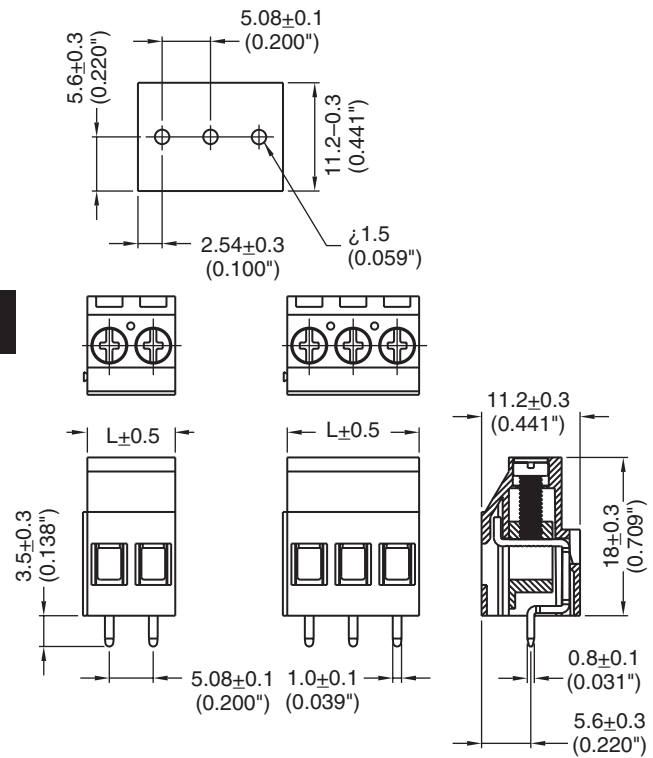
Agency Information: UL/CSA; CE Certified

EM290808

TABLE A

Poles	L (mm)	Poles	L (mm)
2	10.16	14	71.12
3	15.24	15	76.20
4	20.32	16	81.28
5	25.40	17	86.36
6	30.48	18	91.44
7	35.56	19	96.52
8	40.64	20	101.60
9	45.72	21	106.68
10	50.80	22	111.76
11	55.88	23	116.84
12	60.96	24	121.92
13	66.04		

To convert to inches, divide by 25.4



Part Numbering System

Series

EM2908

of Poles

□ □

02 to 24

EM9126 Series Euro-Mag Terminal Blocks 6.35 Centers; Modular

SPECIFICATIONS

- Rating:** 30A, 300V
- Center Spacing:** .250" (6.35)
- Wire Range:** #10-24 AWG
- Housing Material:** UL rated 94V0 Thermoplastic
- Contact Material:** Brass Tin Plated
- Cage Clamp:** Brass, Nickel Plated
- Screw Size:** M3.0 Steel Nickel Plated
- Operating Temperature:** 105°C (221°F) max., -40°C (-40°F) min.
- Torque Rating:** 5.5 in-lb.
- Recommended PCB Hole Diameters:** .071" (1.80)
- Construction:** Modular design features dove-tails for interlocking to achieve longer lengths
- Agency Information:** UL/CSA; CE Certified

EM912605

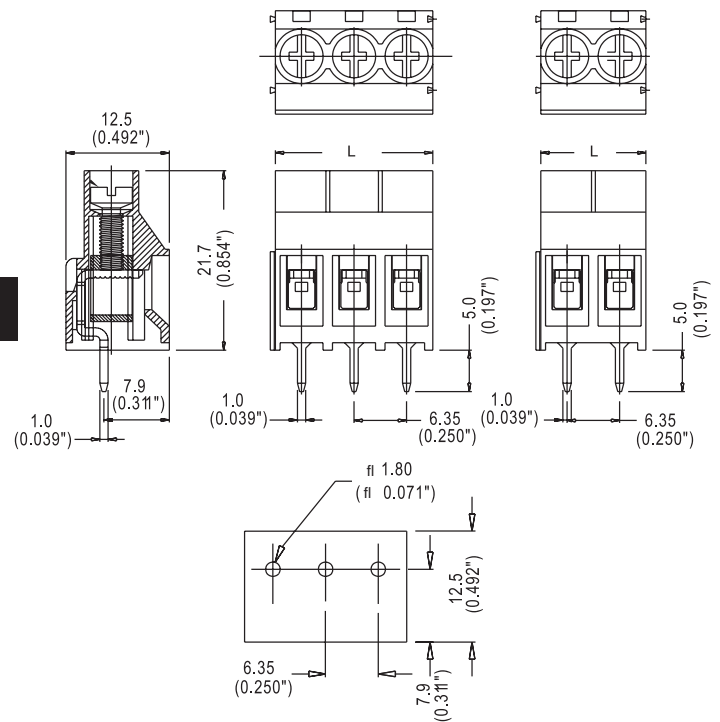


TABLE A

Poles	L (mm)	Poles	L (mm)
2	12.70	14	88.90
3	19.05	15	95.25
4	25.40	16	101.60
5	31.75	17	107.95
6	38.10	18	114.30
7	44.45	19	120.65
8	50.80	20	127.00
9	57.15	21	133.35
10	63.50	22	139.70
11	69.85	23	146.05
12	76.20	24	152.40
13	82.55		

To convert to inches, divide by 25.4

Part Numbering System

Series

EM9126

of Poles

□□

02 to 24

EM9127 Series

Euro-Mag Terminal Blocks

7.50 Centers; Modular

SPECIFICATIONS

- Rating:** 30A, 300V
- Center Spacing:** 7.50
- Wire Range:** #10-24 AWG
- Housing Material:** UL rated 94V0 Thermoplastic
- Contact Material:** Brass Tin Plated
- Cage Clamp:** Brass, Nickel Plated
- Screw Size:** M3.5 Steel Nickel Plated
- Operating Temperature:** 105°C (221°F) max., -40°C (-40°F) min.
- Torque Rating:** 5.5 in.-lb.
- Recommended PCB Hole Diameters:** .071" (1.80)
- Construction:** Modular design features dove-tails for interlocking to achieve longer lengths
- Agency Information:** UL/CSA; CE Certified

EM912705

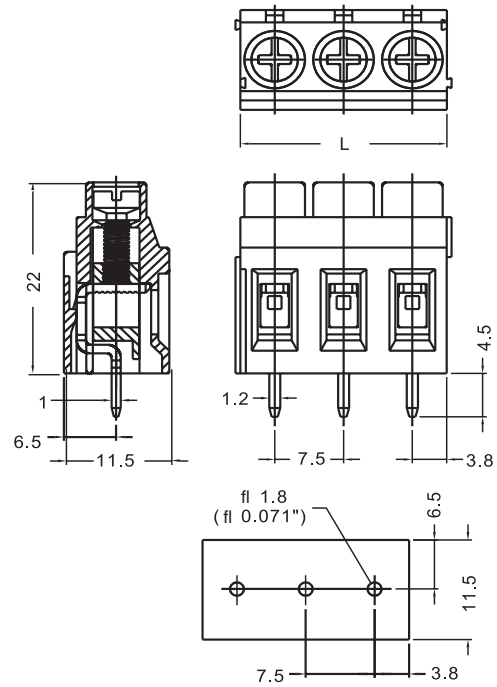


TABLE A

Poles	L (mm)	Poles	L (mm)
2	15.00	14	105.00
3	22.50	15	112.50
4	30.00	16	120.00
5	37.50	17	127.50
6	45.00	18	135.00
7	52.50	19	142.50
8	60.00	20	150.00
9	67.50	21	157.50
10	75.00	22	165.00
11	82.50	23	172.50
12	90.00	24	180.00
13	97.50		

To convert to inches, divide by 25.4

Part Numbering System

Series

EM9127

of Poles

□□

02 to 24

EM9128 Series Euro-Mag Terminal Blocks 7.62 Centers; Modular

SPECIFICATIONS

Rating: 30A, 300V
Center Spacing: 7.62
Wire Range: #10-24 AWG
Housing Material: UL rated 94V0 Thermoplastic
Contact Material: Brass Tin Plated
Cage Clamp: Brass, Nickel Plated
Screw Size: M3.0 Steel Nickel Plated
Operating Temperature: 105°C (221°F) max., -40°C (-40°F) min.
Torque Rating: 5.5 in-lb.
Recommended PCB Hole Diameters: .071" (1.80)
Construction: Modular design features dove-tails for interlocking to achieve longer lengths
Agency Information: UL/CSA; CE Certified

EM912805

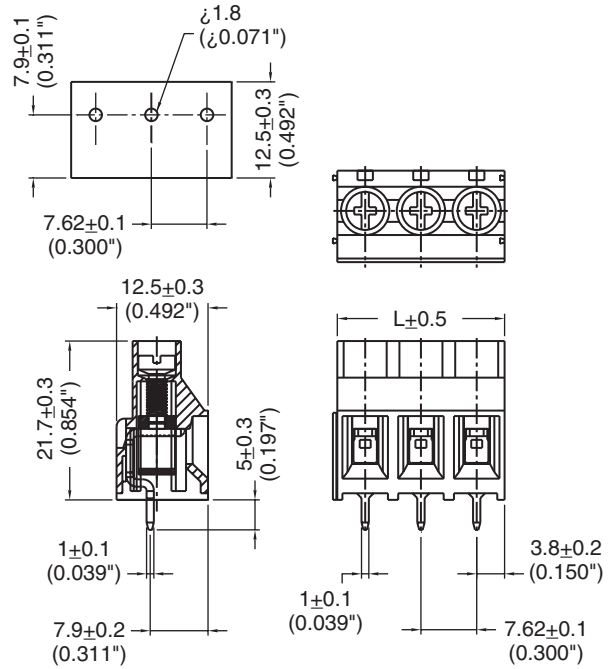


TABLE A

Poles	L (mm)	Poles	L (mm)
2	15.24	14	106.68
3	22.86	15	114.30
4	30.48	16	121.92
5	38.10	17	129.54
6	45.72	18	137.16
7	53.34	19	144.78
8	60.96	20	152.40
9	68.58	21	160.02
10	76.20	22	167.64
11	83.82	23	175.26
12	91.44	24	182.88
13	99.06		

To convert to inches, divide by 25.4

Part Numbering System

Series

EM9127

of Poles

□□

02 to 24

EM2909 Series Euro-Mag Terminal Blocks

35° Angle; 9.52 Centers; Modular

SPECIFICATIONS

- Rating:** 30A, 600V
- Center Spacing:** .375" (9.52)
- Wire Range:** #10-20 AWG
- Housing Material:** UL rated 94V0 Thermoplastic
- Contact Material:** Brass Tin Plated
- Cage Clamp:** Steel, Nickel Plated
- Screw Size:** M3.0 Nickel Plated Steel
- Operating Temperature:** 105°C (221°F) max., -40°C (-40°F) min.
- Torque Rating:** 5.5 in.-lb.
- Recommended PCB Hole Diameters:** .055" (1.40)
- Construction:** Modular design features dove-tails for interlocking to achieve longer lengths
- Agency Information:** UL/CSA; CE Certified

EM290905

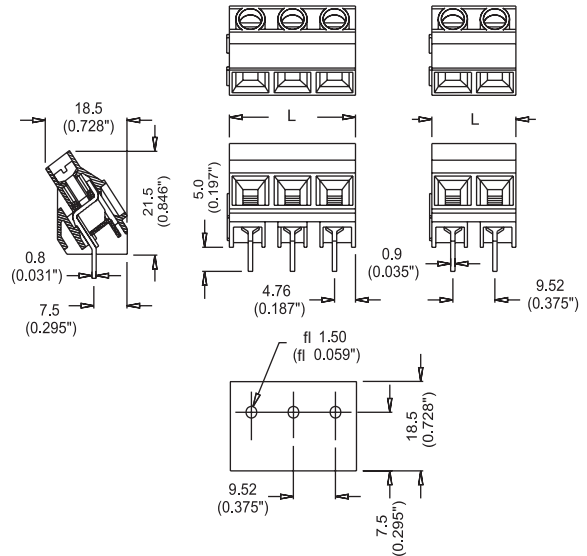


TABLE A

Poles	L (mm)	Poles	L (mm)
2	19.04	14	133.28
3	28.56	15	142.80
4	38.08	16	152.32
5	47.60	17	161.84
6	57.12	18	171.36
7	66.64	19	180.88
8	76.16	20	190.40
9	85.68	21	199.92
10	95.20	22	209.44
11	104.72	23	218.96
12	114.24	24	228.48
13	123.76		

To convert to inches, divide by 25.4

Part Numbering System

Series

EM2909

of Poles

□□

02 to 24

EM2919 Series Euro-Mag Terminal Blocks 9.52 Centers; Modular

SPECIFICATIONS

Rating: 30A, 600V

Center Spacing: .375" (9.52)

Wire Range: #10-20 AWG

Housing Material: UL rated 94V0 Thermoplastic

Contact Material: Brass Tin Plated

Cage Clamp: Steel, Nickel Plated

Screw Size: M3.0 Nickel Plated Steel

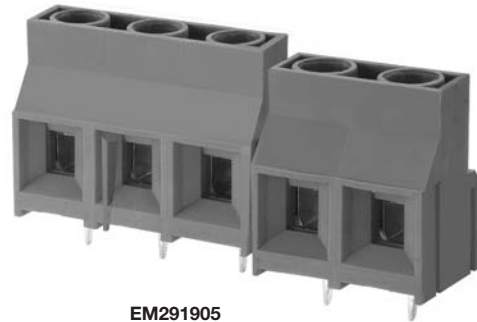
Operating Temperature: 105°C (221°F) max., -40°C (-40°F) min.

Torque Rating: 5.5 in.-lb.

Recommended PCB Hole Diameters: .055" (1.40)

Construction: Modular design features dove-tails for interlocking to achieve longer lengths

Agency Information: UL/CSA; CE Certified



EM291905

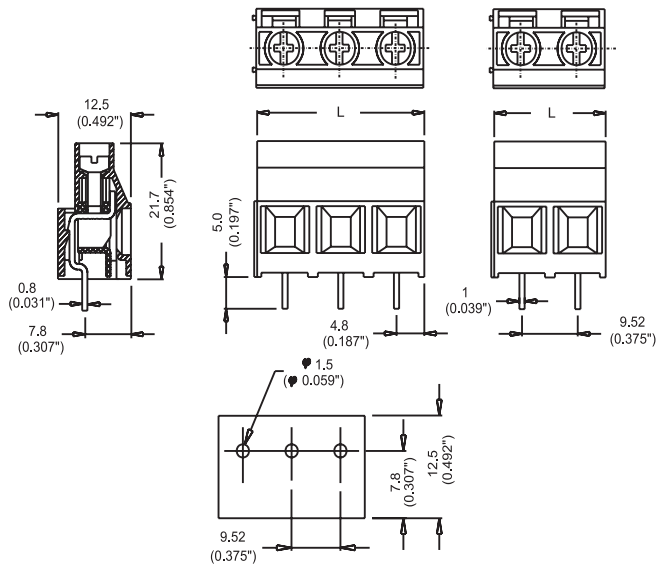


TABLE A

Poles	L (mm)	Poles	L (mm)
2	19.04	14	133.28
3	28.56	15	142.80
4	38.08	16	152.32
5	47.60	17	161.84
6	57.12	18	171.36
7	66.64	19	180.88
8	76.16	20	190.40
9	85.68	21	199.92
10	95.20	22	209.44
11	104.72	23	218.96
12	114.24	24	228.48
13	123.76		

To convert to inches, divide by 25.4

Part Numbering System

Series

of Poles

EM2919

□ □

02 to 24

EM2929 Series Euro-Mag Terminal Blocks

Hi-Current; 10.16 Centers

SPECIFICATIONS

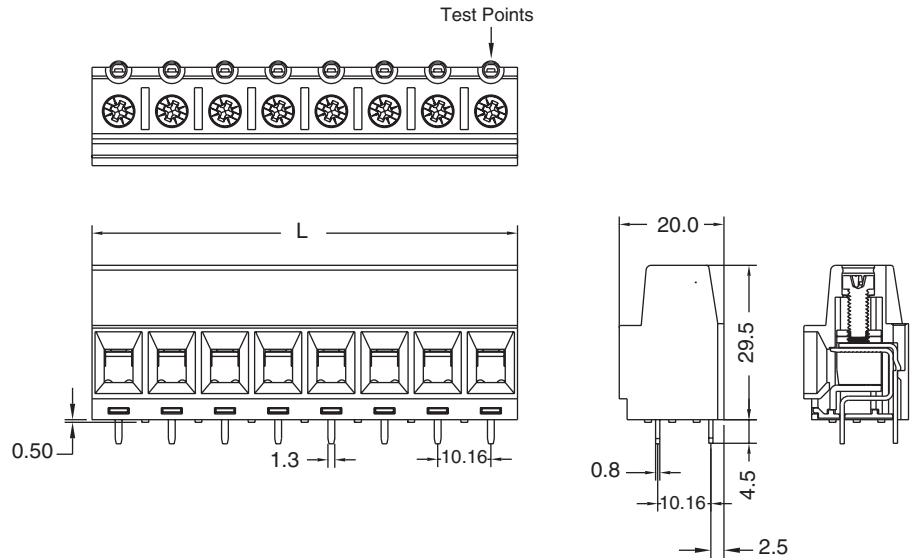
Rating: 65A, 600V
Center Spacing: .400" (10.16 mm)
Wire Range: #6-20 AWG
Housing Material: UL rated 94V0 Thermoplastic
Contact Material: Tin Plated Copper
Cage Clamp: Steel, Chromate Plated
Screw Size: M4 Stainless Steel
Operating Temperature: 105°C (221°F) max., -40°C (-40°F) min.
Torque Rating: 15 in-lb.
Recommended PCB Hole Diameters: .055" (1.40)
Construction: Mold to length
Agency Information: UL/CSA; CE Certified

EM292908

TABLE A

Poles	L (mm)
2	20.34
3	30.50
4	40.66
5	50.82
6	60.98
7	71.14
8	81.30

To convert to inches, divide by 25.4



Euro-MAG Series
PCB - High Current

Part Numbering System

Series

EM2929

of Poles

□ □

02 to 08

EM2939 Series Euro-Mag Terminal Blocks

Hi-Current, 15.00 Centers

SPECIFICATIONS

Rating: 115A, 300V / 600V w/NC Option*

Center Spacing: .591" (15.00 mm)

Wire Range: #2-20 AWG

Housing Material: UL rated 94V0 Thermoplastic

Contact Material: Tin Plated Copper

Cage Clamp: Steel, Chromate Plated

Screw Size: M5 Stainless Steel

Operating Temperature: 105°C (221°F) max., -40°C (-40°F) min.

Torque Rating: 15 in.-lb.

Recommended PCB Hole Diameters: .063" (1.60)

Construction: Mold to length

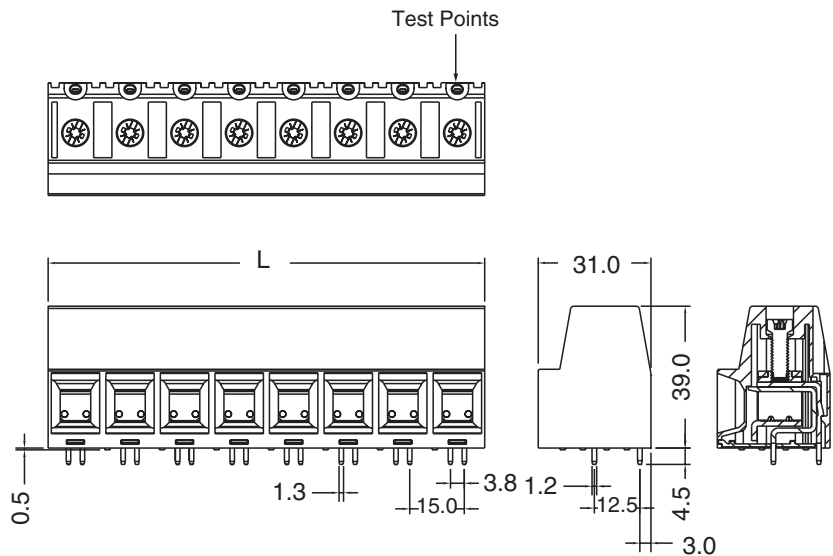
Agency Information: UL/CSA; CE Certified

EM293908

TABLE A

Poles	L (mm)
2	30.00
3	45.00
4	60.00
5	75.00
6	90.00
7	105.00
8	120.00

To convert to inches, divide by 25.4



Part Numbering System

Series

EM2939

of Poles

□ □

02 to 08

Bottom Cover

(□ □)

N C

*NC = No Bottom Cover

EM3905 Series Euro-Mag Terminal Blocks

High Current; Two Tier; 5.00 Centers; Modular

SPECIFICATIONS

Rating: 28A, 250V

Center Spacing: .197" (5.00)

Wire Range: #12-24 AWG

Housing Material: UL rated 94V0 Thermoplastic

Contact Material: Tin Plated Brass

Cage Clamp: Brass, Nickel Plated

Screw Size: M2.6 Nickel Plated Steel

Operating Temperature: 105°C (221°F) max., -40°C (-40°F) min.

Torque Rating: 4.5 in-lb.

Recommended PCB Hole Diameters: .055" (1.40)

Construction: Modular design features dove-tails for interlocking to achieve longer lengths

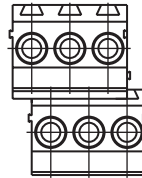
Agency Information: UL/CSA; CE Certified

TABLE A

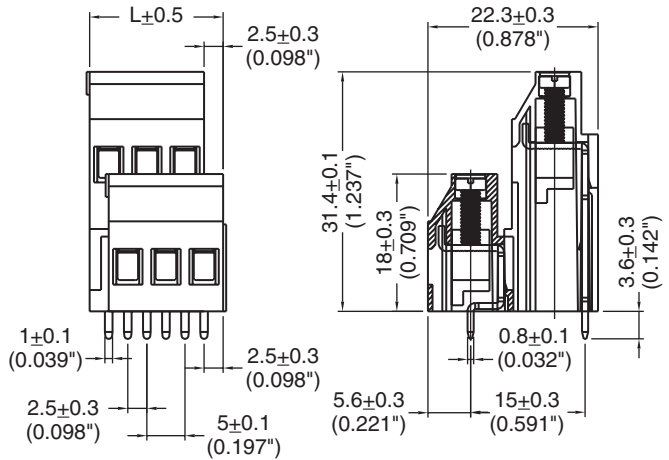
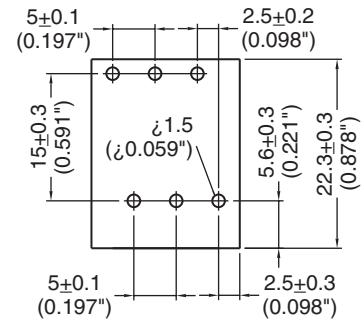
Poles	L (mm)	Poles	L (mm)
2	12.50	14	72.50
3	17.50	15	77.50
4	22.50	16	82.50
5	27.50	17	87.50
6	32.50	18	92.50
7	37.50	19	97.50
8	42.50	20	102.50
9	47.50	21	107.50
10	52.50	22	112.40
11	57.50	23	117.50
12	62.50	24	122.50
13	67.50		

To convert to inches, divide by 25.4

EM390508



EM390504



Part Numbering System

Series

of Poles

EM3905

□ □

02 to 24

EM3908 Series Euro-Mag Terminal Blocks

High Current; Two-Tier; 5.08 Centers; Modular

SPECIFICATIONS

Rating: 28A, 250V

Center Spacing: .200" (5.08)

Wire Range: #12-24 AWG

Housing Material: UL rated 94V0 Thermoplastic

Contact Material: Brass Tin Plated

Cage Clamp: Brass, Nickel Plated

Screw Size: M2.6 Nickel Plated Steel

Operating Temperature: 105°C (221°F) max., -40°C (-40°F) min.

Torque Rating: 4.5 in.-lb.

Recommended PCB Hole Diameters: .055" (1.40)

Construction: Modular design features dove-tails for interlocking to achieve longer lengths

Agency Information: UL/CSA; CE Certified

EM390808

EM390804

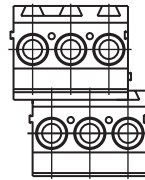
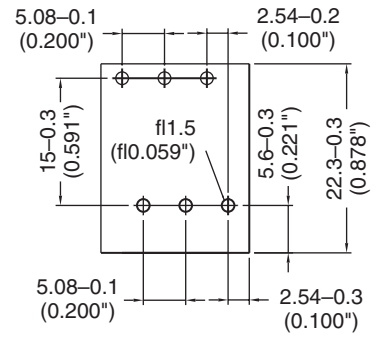
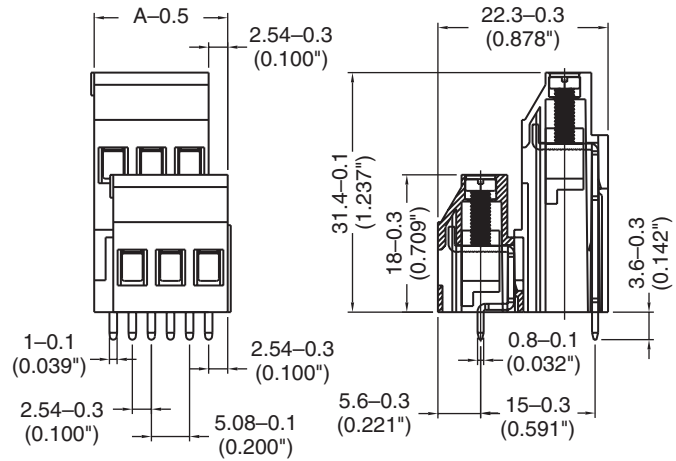


TABLE A

Poles	L (mm)	Poles	L (mm)
2	10.16	14	71.12
3	15.24	15	76.20
4	20.32	16	81.28
5	25.40	17	86.36
6	30.48	18	91.44
7	35.56	19	96.52
8	40.64	20	101.60
9	45.72	21	106.68
10	50.80	22	111.76
11	55.88	23	116.84
12	60.96	24	121.92
13	66.04		

To convert to inches, divide by 25.4



Part Numbering System

Series

EM3908

of Poles

02 24

02 to 24

Euro-MAG Series
PCB - High Current