

**EM3123 Series**  
**Euro-Mag Terminal Blocks**  
 3.50 Centers; Modular

**SPECIFICATIONS**

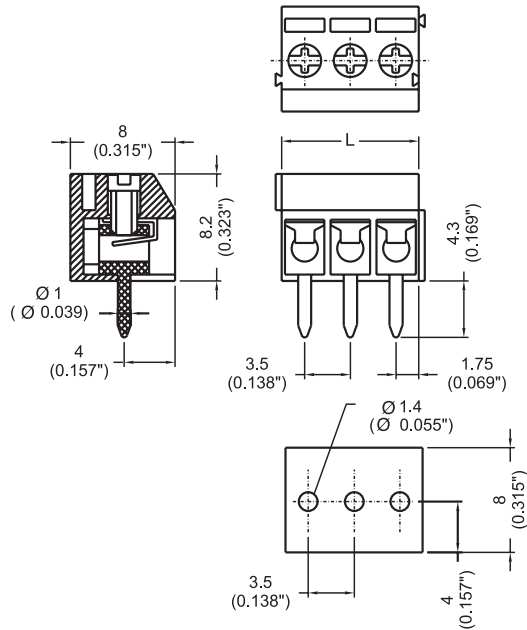
- Rating:** 6A, 300V
- Center Spacing:** .138" (3.50)
- Wire Range:** #16-26 AWG
- Housing Material:** Black Polyamide Type 6/6, 94V0
- Contact Material:** Tin Plated Brass
- Wire Protector:** Stainless Steel
- Screw Size:** M2.0 Chromate Steel
- Operating Temperature:** 105°C (221°F) max., -33°C (-27°F) min.
- Torque Rating:** 2.5 in.-lb.
- Recommended PCB Hole Diameters:** .055" (1.40)
- Construction:** Modular design features dove-tails for interlocking to achieve longer lengths
- Agency Information:** UL/CSA; CE Certified



**TABLE A**

Poles	L (mm)	Poles	L (mm)
2	7.00	14	49.50
3	10.50	15	52.50
4	14.00	16	56.00
5	17.50	17	59.50
6	21.00	18	63.00
7	24.50	19	66.50
8	28.00	20	70.00
9	31.50	21	73.50
10	35.00	22	77.00
11	38.50	23	80.50
12	42.00	24	84.00
13	45.50		

To convert to inches, divide by 25.4



Euro-MAG Series  
PCB - Spring Clamp

**Part Numbering System**

Series                      # of Poles

EM3123                      □ □

02 to 24

## EM2665 Series Euro-Mag Terminal Blocks

5.00 Centers

### SPECIFICATIONS

**Rating:** 10A, 300V

**Center Spacing:** .197" (5.00 mm)

Consult factory for .394" (10.00 mm)

**Wire Range:** #14-22 AWG

**Housing Material:** UL rated 94V0 Thermoplastic

**Contact Material:** Brass Tin Plated

**Screw Size:** M3x5 Zinc Plated Steel

**Operating Temperature:** 105°C (221°F) max., -40°C (-40°F) min.

**Torque Rating:** 7 in-lb.

**Recommended PCB Hole Diameters:** .055" (1.40)

**Construction:** Mold to Length

**Connector Style:** Spring Clamp

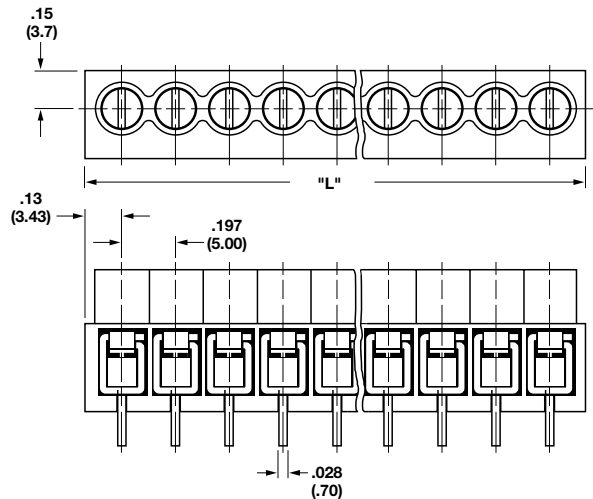
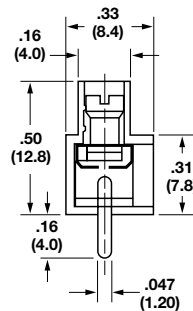
**Agency Information:** UL/CSA; CE Certified

EM266512

TABLE A

Position	L (mm)	Position	L (mm)
02	10.00	14	70.00
03	15.00	15	75.00
04	20.00	16	80.00
05	25.00	17	85.00
06	30.00	18	90.00
07	35.00	19	95.00
08	40.00	20	100.00
09	45.00	21	105.00
10	50.00	22	110.00
11	55.00	23	115.00
12	60.00	24	120.00
13	65.00		

To convert to inches, divide by 25.4



Also available in 10.00 mm (EM2661XX).

## Part Numbering System

Series

EM2665

# of Positions

□□

02 to 24

**EM3660 Series**  
**Euro-Mag Terminal Blocks**  
 5.00 Centers; Modular



EM366005

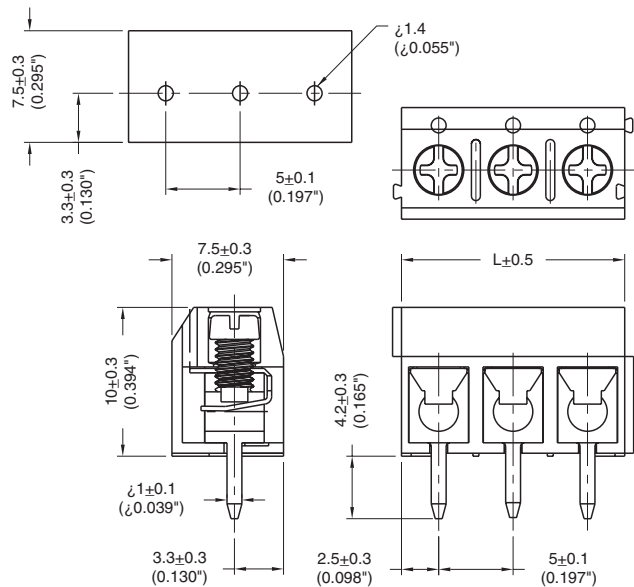
**SPECIFICATIONS**

- Rating:** 16A, 250V
- Center Spacing:** .197" (5.00)
- Wire Range:** #16-24 AWG
- Housing Material:** Blue Polyamide Type 6/6, 94V0
- Contact Material:** Tin Plated Brass
- Wire Protector:** Stainless Steel
- Screw Size:** M3 Nickel Plated Steel
- Operating Temperature:** 105°C (221°F) max., -33°C (-27°F) min.
- Torque Rating:** 4.0 in-lb.
- Recommended PCB Hole Diameters:** .055" (1.40)
- Construction:** Modular design features dove-tails for interlocking to achieve longer lengths
- Agency Information:** UL/CSA; CE Certified

**TABLE A**

Poles	L (mm)	Poles	L (mm)
2	10.00	14	70.00
3	15.00	15	75.00
4	20.00	16	80.00
5	25.00	17	85.00
6	30.00	18	90.00
7	35.00	19	95.00
8	40.00	20	100.00
9	45.00	21	105.00
10	50.00	22	110.00
11	55.00	23	115.00
12	60.00	24	120.00
13	65.00		

To convert to inches, divide by 25.4



Euro-MAG Series  
PCB - Spring Clamp

**Part Numbering System**

Series

EM3660

# of Poles

□ □

02 to 24

## EM3665 Series Euro-Mag Terminal Blocks

5.00 Centers; Modular

### SPECIFICATIONS

**Rating:** 10A, 300V

**Center Spacing:** .197" (5.00)

**Wire Range:** #16-22 AWG

**Housing Material:** UL rated 94V0 Thermoplastic

**Contact Material:** Tin Plated Brass

**Screw Size:** M2.5x5 Zinc Plated Steel

**Operating Temperature:** 105°C (221°F) max., -40°C (-40°F) min.

**Torque Rating:** 2.5 in-lb.

**Recommended PCB Hole Diameters:** .055" (1.40)

**Construction:** Modular design features dove-tails for interlocking to achieve longer lengths

**Connector Style:** Spring Clamp

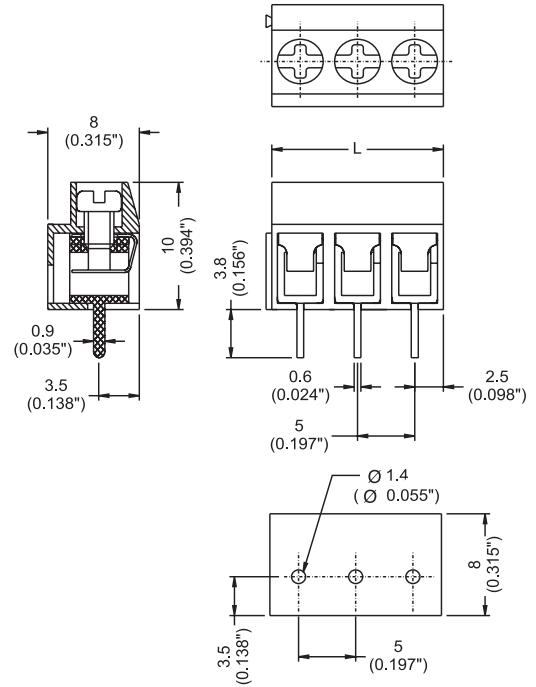
**Agency Information:** UL/CSA; CE Certified

EM366512

TABLE A

Poles	L (mm)	Poles	L (mm)
2	10.00	14	70.00
3	15.00	15	75.00
4	20.00	16	80.00
5	25.00	17	85.00
6	30.00	18	90.00
7	35.00	19	95.00
8	40.00	20	100.00
9	45.00	21	105.00
10	50.00	22	110.00
11	55.00	23	115.00
12	60.00	24	120.00
13	65.00		

To convert to inches, divide by 25.4



## Part Numbering System

Series

EM3665

# of Poles

□ □

02 to 24

Euro-MAG Series  
PCB - Spring Clamp

# EM3675 Series Euro-Mag Terminal Blocks 5.00 Centers

## SPECIFICATIONS

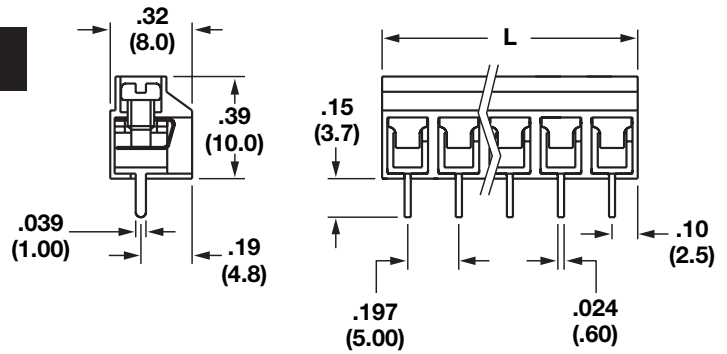
**Rating:** 10A, 300V  
**Center Spacing:** .197" (5.00)  
**Wire Range:** #14-26 AWG  
**Housing Material:** UL rated 94V0 Thermoplastic  
**Contact Material:** Tin Plated Brass  
**Screw Size:** M2x6, Nickel Plated Steel  
**Operating Temperature:** 105°C (221°F) max., -40°C (-40°F) min.  
**Torque Rating:** 4.0 in-lb.  
**Recommended PCB Hole Diameters:** .055" (1.40)  
**Construction:** Mold to Length  
**Connector Style:** Spring Clamp  
**Agency Information:** UL/CSA; CE Certified

EM367512

TABLE A

Poles	L (mm)	Poles	L (mm)
2	10.00	15	75.00
3	15.00	16	80.00
4	20.00	17	85.00
5	25.00	18	90.00
6	30.00	19	95.00
7	35.00	20	100.00
8	40.00	21	105.00
9	45.00	22	110.00
10	50.00	23	115.00
11	55.00	24	120.00
12	60.00	25	125.00
13	65.00	26	130.00
14	70.00	27	135.00

To convert to inches, divide by 25.4



Euro-MAG Series  
PCB - Spring Clamp

## Part Numbering System

Series

EM3675

# of Poles

□□

02 to 27

## EM3127 Series Euro-Mag Terminal Blocks

7.50 Centers; Modular

### SPECIFICATIONS

**Rating:** 10A, 300V

**Center Spacing:** .295" (7.50)

**Wire Range:** #14-22 AWG

**Housing Material:** Black Polyamide Type 6/6, 94V0

**Contact Material:** Tin Plated Brass

**Wire Protector:** Stainless Steel

**Screw Size:** M3.0 Nickel Plated Steel

**Operating Temperature:** 105°C (221°F) max., -33°C (-27°F) min.

**Torque Rating:** 3.5 in.-lb.

**Recommended PCB Hole Diameters:** .055" (1.40)

**Construction:** Modular design features dove-tails for interlocking to achieve longer lengths

**Agency Information:** UL/CSA Pending; CE Certified



EM312705

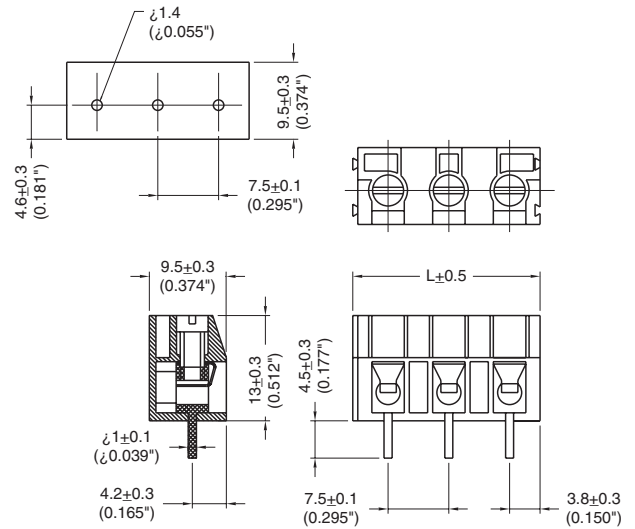


TABLE A

Poles	L (mm)	Poles	L (mm)
2	15.00	14	105.00
3	22.50	15	112.50
4	33.00	16	120.00
5	37.50	17	127.50
6	45.00	18	133.00
7	52.50	19	142.50
8	60.00	20	150.00
9	67.50	21	157.50
10	75.00	22	165.00
11	82.50	23	172.50
12	90.00	24	180.00
13	97.50		

To convert to inches, divide by 25.4

## Part Numbering System

Series

EM3127

# of Poles

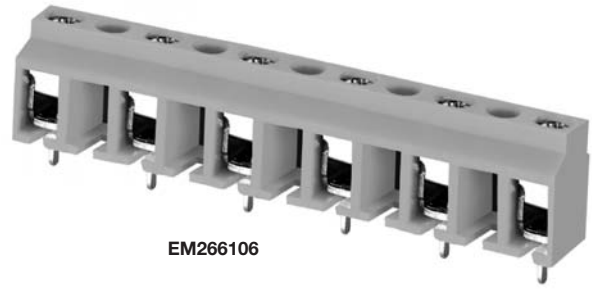
□ □

02 to 24

**EM2661 Series**  
**Euro-Mag Terminal Blocks**  
 10.00 Centers

**SPECIFICATIONS**

**Rating:** 10A, 300V  
**Center Spacing:** .394" (10.00)  
**Wire Range:** #14-26 AWG  
**Housing Material:** UL rated 94V0 Thermoplastic  
**Contact Material:** Tin Plated Brass  
**Wire Protector:** Stainless Steel  
**Screw Size:** M2.6 Chromate Steel  
**Operating Temperature:** 105°C (221°F) max., -40°C (-40°F) min.  
**Torque Rating:** 4.0 in-lb.  
**Recommended PCB Hole Diameters:** .055" (1.40)  
**Construction:** Mold to Length  
**Agency Information:** UL/CSA; CE Certified

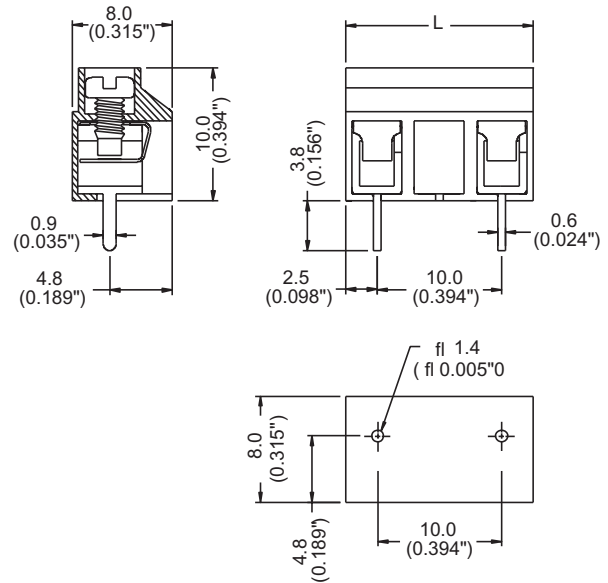


EM266106

**TABLE A**

Poles	L (mm)	Poles	L (mm)
2	15.00	8	75.00
3	25.00	9	85.00
4	35.00	10	95.00
5	45.00	11	105.00
6	55.00	12	115.00
7	65.00	13	125.00

To convert to inches, divide by 25.4



Euro-MAG Series  
 PCB - Spring Clamp

**Part Numbering System**

Series

# of Poles

EM2661

□□

02 to 13

## EM3661 Series Euro-Mag Terminal Blocks

10.00 Centers; Modular

### SPECIFICATIONS

**Rating:** 10A, 300V

**Center Spacing:** .394" (10.00)

**Wire Range:** #14-26 AWG

**Housing Material:** UL rated 94V0 Thermoplastic

**Contact Material:** Tin Plated Brass

**Wire Protector:** Stainless Steel

**Screw Size:** M2.6 Chromate Steel

**Operating Temperature:** 105°C (221°F) max., -40°C (-40°F) min.

**Torque Rating:** 4.0 in-lb.

**Recommended PCB Hole Diameters:** .055" (1.40)

**Construction:** Modular design features dove-tails for interlocking to achieve longer lengths

**Agency Information:** UL/CSA; CE Certified



EM366102

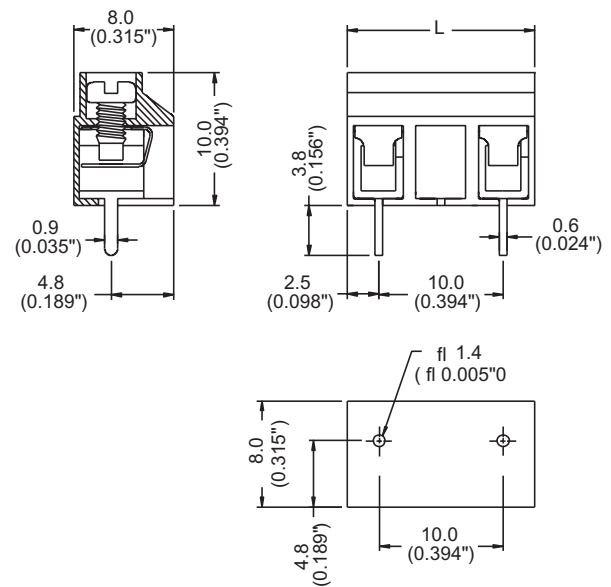


TABLE A

Poles	L (mm)	Poles	L (mm)
2	15.00	9	50.00
3	20.00	10	55.00
4	25.00	11	60.00
5	30.00	12	65.00
6	35.00	13	70.00
7	40.00	14	75.00
8	45.00		

To convert to inches, divide by 25.4

## Part Numbering System

Series

EM3661

# of Poles

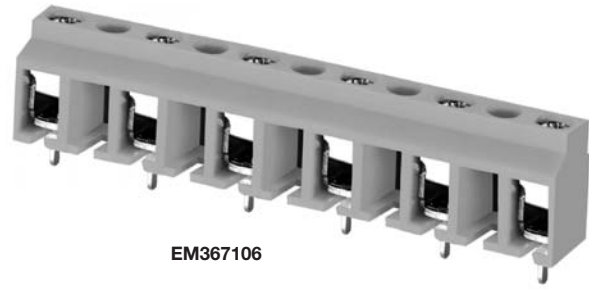
□□

02 to 14

**EM3671 Series**  
**Euro-Mag Terminal Blocks**  
 10.00 Centers

**SPECIFICATIONS**

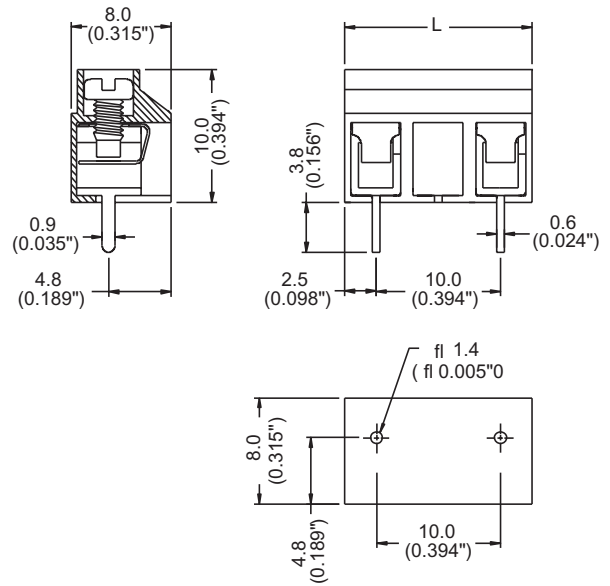
- Rating:** 10A, 300V
- Center Spacing:** .394" (10.00)
- Wire Range:** #14-26 AWG
- Housing Material:** UL rated 94V0 Thermoplastic
- Contact Material:** Tin Plated Brass
- Wire Protector:** Stainless Steel
- Screw Size:** M2.6 Chromate Steel
- Operating Temperature:** 105°C (221°F) max., -55°C (-67°F) min.
- Torque Rating:** 4.0 in-lb.
- Recommended PCB Hole Diameters:** .055" (1.40)
- Construction:** Mold to Length
- Agency Information:** UL/CSA; CE Certified



**TABLE A**

Poles	L (mm)	Poles	L (mm)
2	15.00	8	75.00
3	25.00	9	85.00
4	35.00	10	95.00
5	45.00	11	105.00
6	55.00	12	115.00
7	65.00	13	125.00

To convert to inches, divide by 25.4



Euro-MAG Series  
PCB - Spring Clamp

**Part Numbering System**

Series                      # of Poles

EM3671                   

02 to 13