

5mm Ferrule Fuses Offered in a Variety of Sizes, Constructions, and Design Standards

1. Extensive Offering

- Cooper Bussmann carries a complete line of both Fast-Acting and Time-Delay 5mm fuses, in both Low-Breaking Glass, and High-Breaking Ceramic constructions. The offering includes both IEC and UL design options, to satisfy the various worldwide design requirements of today's electronic market.
- Cooper Bussmann's 5mm Fuse Family carries the IEC and/or UL approvals across the entire amperage range, including the higher 8-15A products. The higher wattage requirements of today's end products mean these higher amperage fuses are specified more and more.
- The C517 5x15mm glass series offers a 3A fuse with a UL recognized 350V/100A interrupting rating. This axial leaded fuse is ideal for worldwide lighting ballast applications.

2. Fuse Accessories

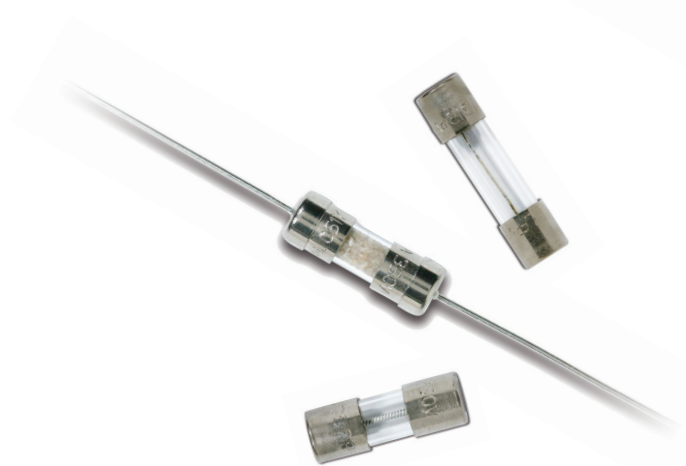
Cooper Bussmann offers a full line of fuse accessories such as clips, holders, and blocks, which can complete any ferrule fuse application need. See back for additional information.

3. RoHS Compliant

The 5mm fuses from Cooper Bussmann are available in a RoHS compliant product option, by adding a "-R" suffix to the base part number.

4. Packaging Options

Cooper Bussmann offers a variety of packaging options, to meet your production needs. These range from the 5 pack tins, to 100 or 1000 pack boxes. When Axial Leads (-V) are specified for Thru-Hole Mounting, a Tape and Reel (TR2) packaging option is also available.

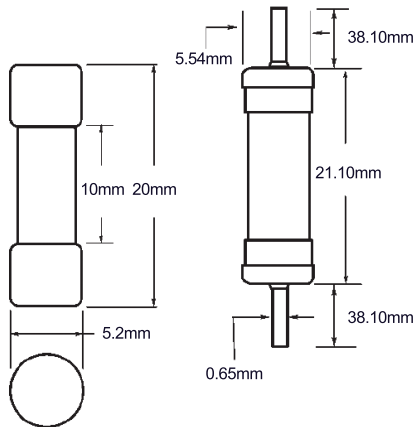


5mm Fuse Family Specifications



Product Dimensions (mm):

5mm x 20mm



- Ratings above 6.3A have a 0.8mm diameter lead
- With TR2 packaging code, lead wire length is 19.05mm

5mm Fuse Family Detail and Quick Cross Reference:

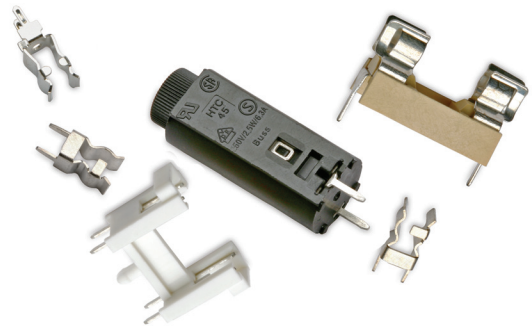
Style	Cooper Bussmann	Littelfuse
5x15 TD Glass w/ Leads - UL	C515	230
350V 5x15 FA Glass w/ Leads - UL	C517	220
5x15 FA Glass w/ Leads - UL	C518	224
5x15 TD Glass - UL	C519	229
5x15 FA Glass - UL	C520	225
5x20 FA Glass - IEC	S500	217
5x20 FA Ceramic - IEC	S501	216
5x20 TD Ceramic - IEC	S505	215
5x20 TD Glass - IEC	S506	213 218
5x20 FA Glass - UL	GMA	235
5x20 Med. TD Glass - UL	GMC	233
5x20 TD Glass - UL	GMD	239

FA = Fast Acting
TD = Time Delay

Application Note:

Power supplies, power adaptors, and battery chargers play a critical role in the operation of virtually all consumer electronic devices. These power supplies or battery chargers convert high voltage AC electricity from the wall outlet to the low voltage DC power used to power today's consumer electronic products. These include personal computers, printers, MP3 players, mobile phones, high definition televisions, game systems, DVD players, and set top boxes. Because these products are plugged into the wall, they require primary circuit protection, as the device can be exposed to dangerous overcurrent events.

The Cooper Bussmann 5mm Fuse Series, with their full range of IEC and UL approvals, are used in a variety of these worldwide applications. When coupled with one of Cooper Bussmann's extensive fuse accessory product offerings, these fuses can be conveniently inserted into a circuit while allowing for end-user replacement if desired.



Typical Applications:

- Power Supplies
- Power Adaptors
- Battery Chargers
- Desktops/Notebooks
- Printers
- TVs / Displays
- Game Systems
- Set Top Boxes
- Air Conditioners
- Lighting Ballasts

5mm Fuse Accessory Reference Guide:

Size	PC Board Fuse Clip (Qty. 2)	PC Board Mount Holder	Panel Mount Holder	In-Line Fuse Holder	Fuseblock
5mm x 15mm	1A3399	-	-	HHT	-
5mm x 20mm	1A3399	HTC-45M/-50M	HTB / HTC	HHT	HTC-15M

Our mission is to be the first choice for target customers seeking application specific power management and protection solutions in the Digital Home & Office and Mobile Electronics world.



©2007 Cooper Bussmann • Boca Raton, FL 33487
561-998-4100 • www.cooperbussmann.com

B-SS 5MM Fuse 2007-02

