

EM2742 Series

Euro-Mag Terminal Blocks

Screwless; 2.54 Centers

SPECIFICATIONS

Rating: 6A, 63V EM274210H

Center Spacing: .100" (25.4)

Wire Range: #20-26 AWG

Housing Material: UL rated 94V0 Thermoplastic

Contact Material: Tin Plated Brass

Spring Material: Stainless Steel

Operating Temperature: 105°C (221°F) max., -40°C (-40°F) min.

Recommended PCB Hole Diameters: .051" (1.30)

Construction: Mold to Length

Agency Information: UL/CSA; CE Certified

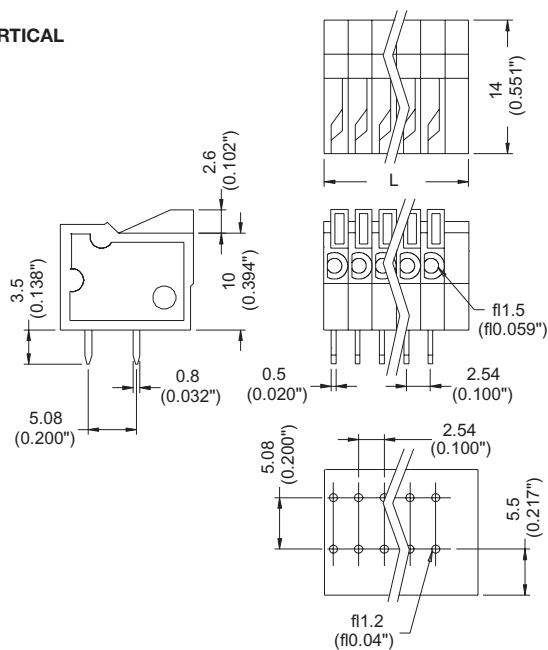
TABLE A

Poles	L (mm)	Poles	L (mm)
2	8.08	10	30.94
3	10.62	11	33.48
4	13.16	12	36.02
5	15.70	13	38.56
6	18.24	14	41.10
7	33.48	15	43.64
8	30.94	16	46.18
9	28.40		

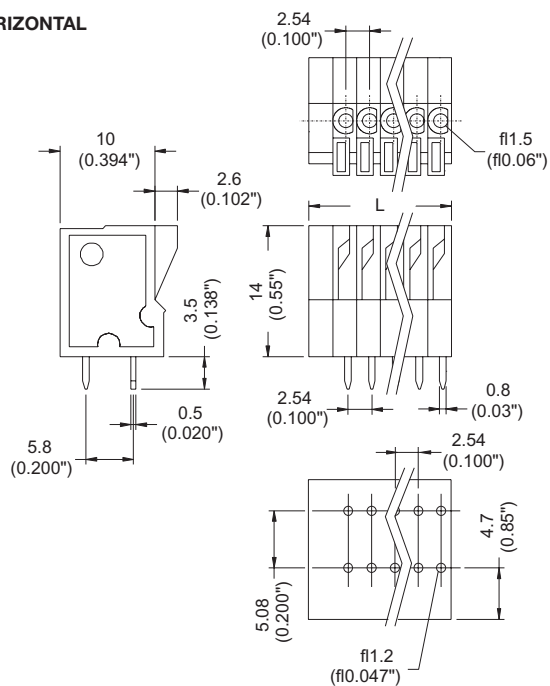
To convert to inches, divide by 25.4

EM274206V

VERTICAL



HORIZONTAL



Part Numbering System

Series

E M 2 7 4 2

of Poles

02 to 16

Orientation

H - horizontal
V - vertical

Euro-MAG Series
Screwless

EM2802 Series Euro-Mag Terminal Blocks

30° Entry; Screwless; 2.54 Centers

SPECIFICATIONS

Rating: 4A, 125V

Center Spacing: .100" (2.54 mm)

Wire Range: #20-24 AWG

Housing Material: Gray Polyamide Type 6/6, 94V0

Contact Material: Tin Plated Brass

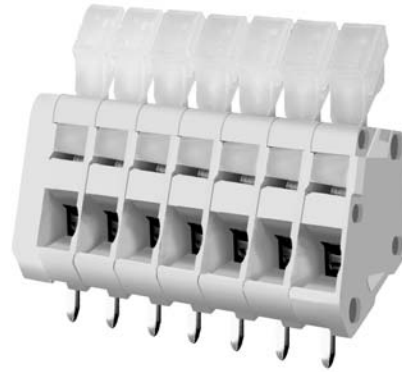
Spring Material: Stainless Steel

Operating Temperature: 105°C (221°F) max., -40°C (-40°F) min.

Recommended PCB Hole Diameters: .051" (1.30)

Construction: Mold to Length

Agency Information: UL/CSA; CE Certified



Em280207

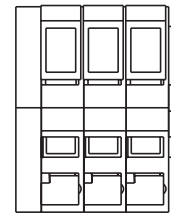
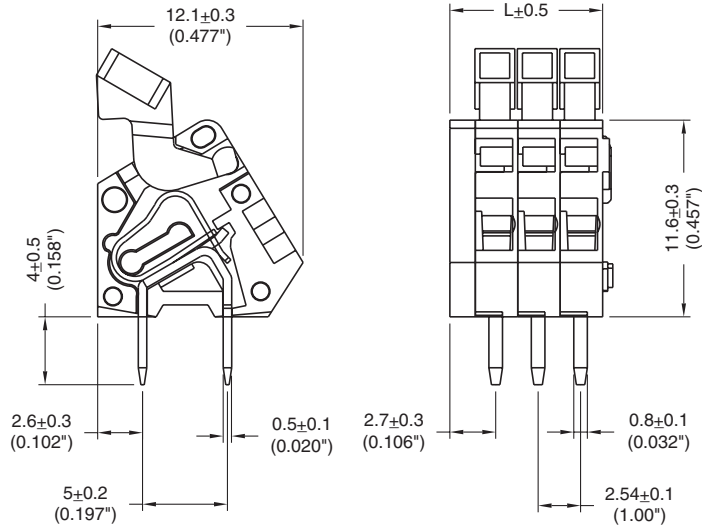


TABLE A

Poles	L (mm)
2	7.08
3	9.62
4	12.16
5	14.70
6	17.24
7	19.78
8	22.32
9	24.86
10	27.40
11	29.94
12	32.48

To convert to inches, divide by 25.4



Part Numbering System

Series

EM2802

of Poles

02 02

02 to 12

EM2785 Series Euro-Mag Terminal Blocks

45° Entry; Screwless; Modular; 5.00 Centers

SPECIFICATIONS

Rating: 7A, 300V

Center Spacing: .197" (5.00)

Wire Range: #16-22 AWG

Housing Material: UL rated 94V0 Thermoplastic

Contact Material: Tin Plated Brass

Spring Material: Stainless Steel

Operating Temperature: 105°C (221°F) max., -40°C (-40°F) min.

Recommended PCB Hole Diameters: .051" (1.30)

Construction: Modular design features dove-tails for interlocking to achieve longer lengths

Agency Information: UL/CSA Pending; CE Certified

EM278505

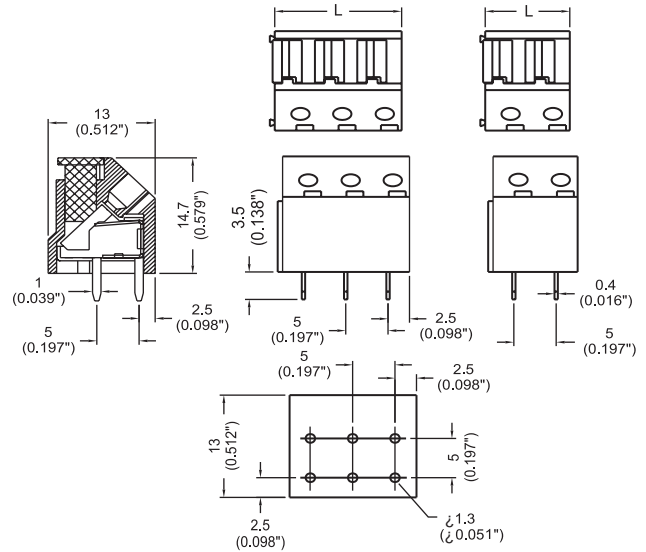


TABLE A

Poles	L (mm)	Poles	L (mm)
2	10.00	14	70.00
3	15.00	15	75.00
4	20.00	16	80.00
5	25.00	17	85.00
6	30.00	18	90.00
7	35.00	19	95.00
8	40.00	20	100.00
9	45.00	21	105.00
10	50.00	22	110.00
11	55.00	23	115.00
12	60.00	24	120.00
13	65.00		

To convert to inches, divide by 25.4

Part Numbering System

Series

EM2785

of Poles

□□

02 to 24

EM2778 Series
Euro-Mag Terminal Blocks
 Screwless, Modular, 5.08 Centers

SPECIFICATIONS

Rating: 10A, 250V
Center Spacing: .200" (5.08)
Wire Size: #14-24 AWG
Housing Material: UL rated 94V0 Thermoplastic
Contact Material: Tin Plated Brass
Operating Temperature: 105°C (221°F) max., -40°C (-40°F) min.
Recommended PCB Hole Diameters: .051" (1.30)
Construction: Modular design features dove-tails for interlocking to achieve longer lengths
Agency Information: UL/CSA Pending; CE Certified

EM277805

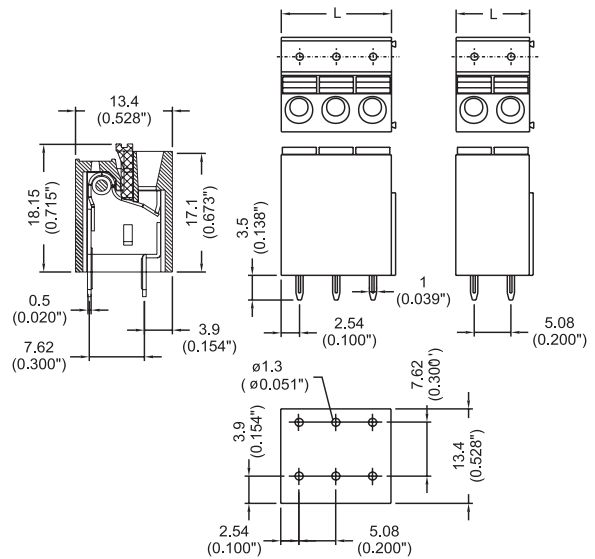


TABLE A

Poles	L (mm)	Poles	L (mm)
2	10.16	14	71.12
3	15.24	15	76.20
4	20.32	16	81.28
5	25.40	17	86.36
6	30.48	18	91.44
7	35.56	19	96.52
8	40.64	20	101.16
9	45.72	21	106.68
10	50.80	22	111.76
11	55.88	23	116.84
12	60.96	24	121.92
13	66.04		

To convert to inches, divide by 25.4

Part Numbering System

Series

of Poles

EM2778

□□

02 to 24

EM2795 Series Euro-Mag Terminal Blocks

Screwless; 5.08 Centers

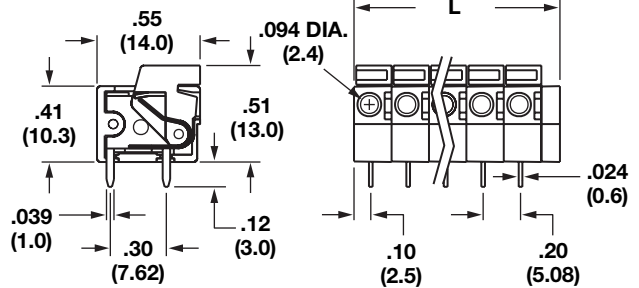
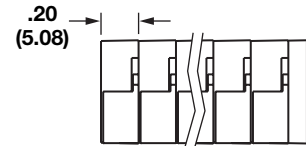
SPECIFICATIONS

Rating: 10A, 300V
Center Spacing: .200" (5.08)
Wire Range: #14-24 AWG
Housing Material: UL rated 94V0 Thermoplastic
Contact Material: Tin Plated Brass
Operating Temperature: 105°C (221°F) max., -40°C (-40°F) min.
Recommended PCB Hole Diameters: .051" (1.30)
Construction: Mold to Length
Agency Information: UL/CSA; CE Certified

EM279507H

EM279502V

VERTICAL



HORIZONTAL

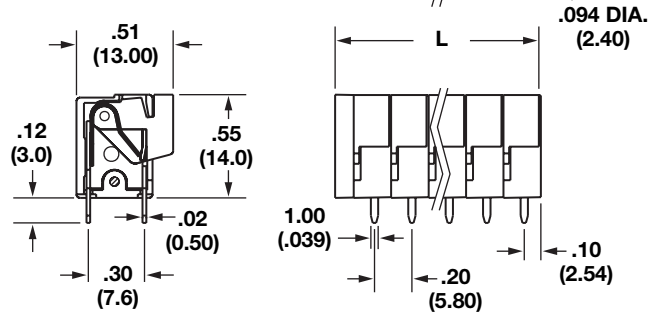
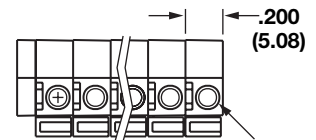


TABLE A

Poles	L (mm)	Poles	L (mm)
2	12.70	10	68.58
3	17.78	11	73.66
4	22.86	12	78.74
5	27.94	13	83.82
6	33.02	14	88.90
7	38.10	15	93.98
8	43.18	16	99.06
9	48.26		

To convert to inches, divide by 25.4

Part Numbering System

Series	# of Positions	Orientation
EM2795	<input type="text"/> <input type="text"/>	<input type="checkbox"/>
	02 to 16	H - horizontal V - vertical

Euro-MAG Series
Screwless

EM2796 Series Euro-Mag Terminal Blocks

Screwless; 7.62 Centers

SPECIFICATIONS

Rating: 10A, 300V

Center Spacing: .300" (7.62)

Wire Range: #14-24 AWG

Housing Material: UL rated 94V0 Thermoplastic

Contact Material: Tin Plated Brass

Operating Temperature: 105°C (221°F) max., -40°C (-40°F) min.

Recommended PCB Hole Diameters: .051" (1.30)

Construction: Mold to Length

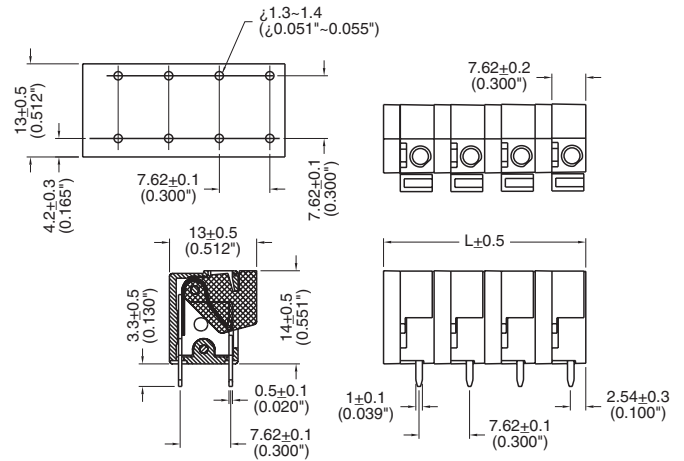
Agency Information: UL/CSA; CE Certified

EM279606V



EM279603H

VERTICAL



HORIZONTAL

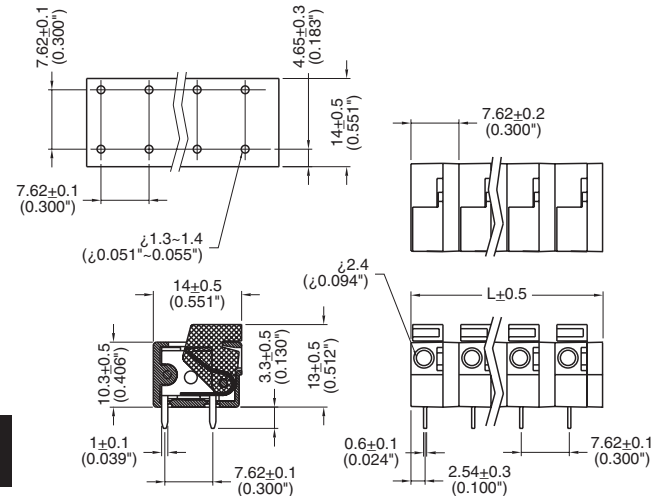


TABLE A

Poles	L (mm)	Poles	L (mm)
2	15.24	10	76.20
3	22.56	11	83.82
4	30.48	12	91.44
5	37.19	13	99.07
6	45.72	14	106.69
7	53.34	15	114.31
8	60.96	16	121.93
9	68.58		

To convert to inches, divide by 25.4

Part Numbering System

Series

EM2796

of Poles

□□

02 to 16

Orientation

□

H - horizontal
V - vertical

EM2791 Series Euro-Mag Terminal Blocks

Screwless; 10.16 Centers

SPECIFICATIONS

Rating: 10A, 300V

Center Spacing: .400" (10.16)

Wire Range: #14-24 AWG

Housing Material: UL rated 94V0 Thermoplastic

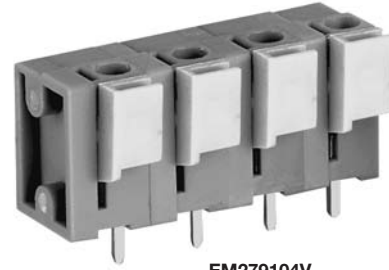
Contact Material: Tin Plated Brass

Operating Temperature: 105°C (221°F) max., -40°C (-40°F) min.

Recommended PCB Hole Diameters: .051" (1.30)

Construction: Mold to Length

Agency Information: UL/CSA; CE Certified



EM279104V

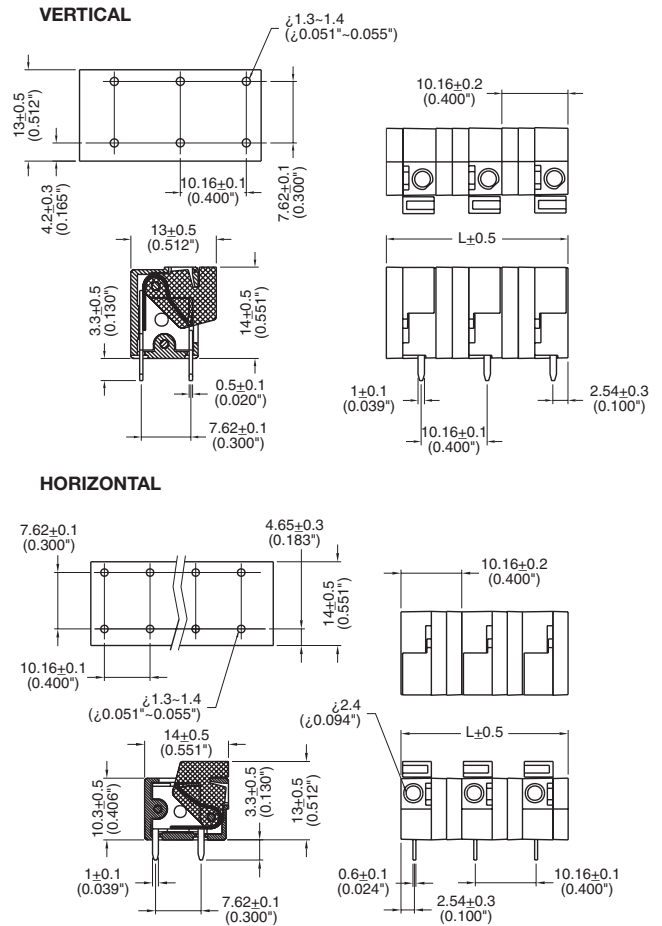


TABLE A

Poles	L (mm)	Poles	L (mm)
2	17.78	10	99.06
3	27.94	11	109.22
4	38.10	12	119.38
5	48.26	13	129.54
6	58.42	14	139.70
7	68.58	15	149.86
8	78.74	16	160.02
9	88.90		

To convert to inches, divide by 25.4

Part Numbering System

Series

EM2791

of Poles

□ □

02 to 16

Orientation

□

H - horizontal
V - vertical

EM2816 Series Euro-Mag Terminal Blocks

60° Entry; Screwless; 7.62 Centers

SPECIFICATIONS

Rating: 10A, 300V

Center Spacing: .300" (7.62 mm)

Wire Range: #16-22 AWG

Housing Material: UL rated 94V0 Thermoplastic

Contact Material: Tin Plated Brass

Spring Material: Stainless Steel

Operating Temperature: 105°C (221°F) max., -40°C (-40°F) min.

Recommended PCB Hole Diameters: .051" (1.30)

Construction: Mold to Length

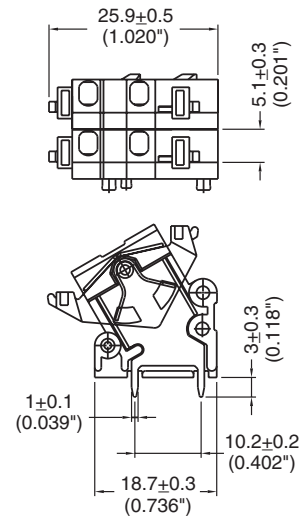
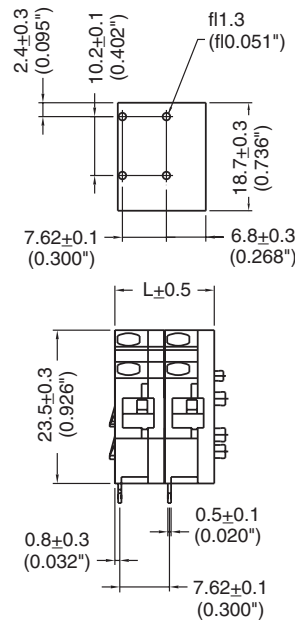
Agency Information: UL/CSA; CE Certified

EM281606

TABLE A

Poles	L (mm)
2	15.24
3	22.86
4	30.48
5	38.10
6	45.72
7	53.34
8	60.96
9	68.58
10	76.20
11	83.82
12	91.44

To convert to inches, divide by 25.4



Euro-MAG Series
Screwless

Part Numbering System

Series

of Poles

EM2816

□ □

02 to 12