



Surge Protection Made Simple™

Telecommunication Applications

Efficient and Reliable Network Protection for Low Voltage and Telecommunication Applications

- Modular DIN-rail design with color-coding and rejection feature makes it easy to identify, install and maintain.
- High surge discharge capacity provided by combination of spark-gap and heavy-duty zinc oxide varistors.
- easyID™ Visual indication and optional remote contact signaling make status monitoring simple.
- Vibration and shock resistant according to EN 60068-2 standards.
- Energy coordination with other Cooper Bussmann DIN rail surge protection devices.



The Need for Surge Protection

Today's world is full of electronic products and devices that are susceptible to damage from overvoltage surges.

Whether the cause is static discharge or lightning, overvoltage surges can quickly destroy consumer electronics or sophisticated electronic packages used in industrial and commercial applications.

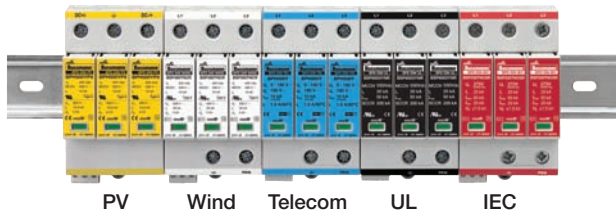
Surge protection products from Cooper Bussmann help assure power quality that's free from damaging surges and overvoltage conditions.

Safe and Simple

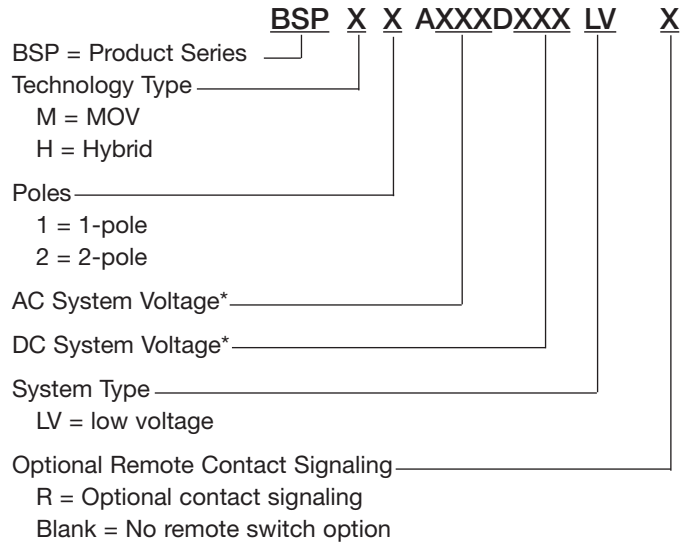
- IP20 Finger-safe construction and suppressor rejection feature make it easy to know the suppressor system is installed and properly operating to protect your Telecom system investment.
- Simply specify the system voltage, circuit configuration and whether the remote contact signaling is desired.

Complete Line of Surge Protection Solutions

Cooper Bussmann offers surge protection products for PV, wind power, UL and IEC applications.



Part Number System



* See specific catalog numbers for exact combinations of AC and DC voltage ratings.



Ordering Information

Surge Arrestors - Low Voltage Type 2				
Rated Voltage		Cooper Bussmann Part Number	Description	Modules
Vac	Vdc			
48	60	BSPM1A48D60LV(R)	48Vac/60Vdc Surge arrestor for low voltage applications (remote)	BPMA48D60LV
75	100	BSPM1A75D100LV(R)	75Vac/100Vdc Surge arrestor for low voltage applications (remote)	BPMA75D100LV
150	200	BSPM1A150D200LV(R)	150Vac/200Vdc Surge arrestor for low voltage applications (remote)	BPMA150D200LV
Surge Arrestors - Low Voltage Type 3				
24	24	BSPH2A24D24LVR	24Vac/Vdc Surge arrestor for low voltage applications (remote)	BPHA24D24LV
48	48	BSPH2A48D48LVR	48Vac/Vdc Surge arrestor for low voltage applications (remote)	BPHA48D48LV
60	60	BSPH2A60D60LVR	60Vac/Vdc Surge arrestor for low voltage applications (remote)	BPHA60D60LV
150	150	BSPH2A150D150LVR	150Vac/Vdc Surge arrestor for low voltage applications (remote)	BPHA150D150LV
230	230	BSPH2A230D230LVR	230Vac/Vdc Surge arrestor for low voltage applications (remote)	BPHA230D230LV