

Square Body High Speed Traction Fuse Links for Third Rail Applications 20A to 600A, 2000Vdc

Catalogue Symbol

170M2046 to 170M2057 - Single slot tag
170M2039 to 170M2043 - Double slot tag
170M2044 and 170M2045 - Parallel double slot tag

Class of Operation: aR

Fuse Size: See dimensions

Standards/Approvals: IEC 60269

Microswitch (optional): 170H0239 and 170H3030 (gold), Type K indicator
6.3 x 0.8mm lugs, low operating voltage.



Description: A range of square body high speed traction fuse links for superior protection of DC third rail applications up to 2000Vdc.

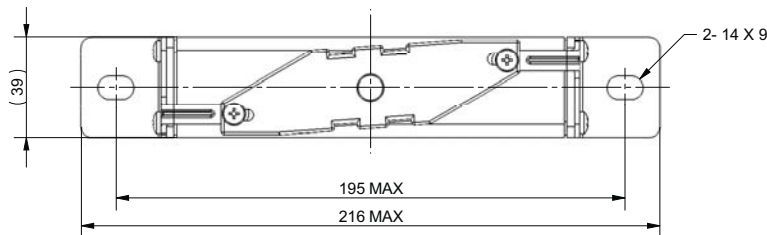
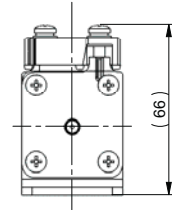
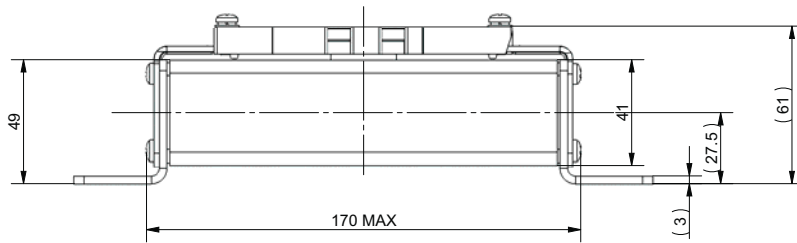
Packaging: MOQ: 1
Packaging 100% recyclable

Technical Data:

Rated Voltage: 2000Vdc
Rated Current/Mounting Method:
20-215A, Single Slot Tag
160-400A, Double Slot Tag
500-600A, Parallel Double Slot Tag
Tested Breaking Capacity:
100kA at 2000Vdc, L/R <15ms
100kA at 1500Vdc, L/R <30ms

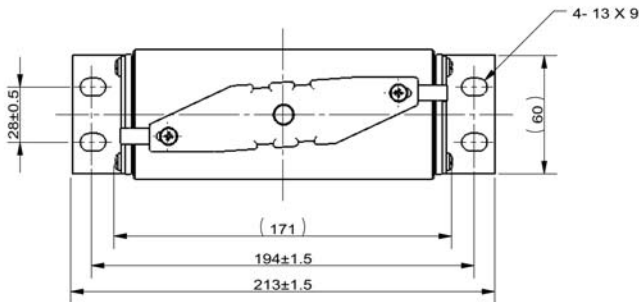
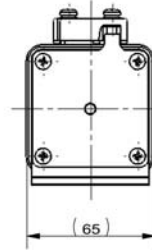
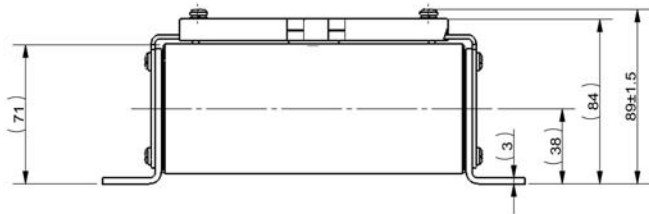
Dimensions - mm

170M2046 to 170M2057 - Single Slot Tag - 20 to 215A

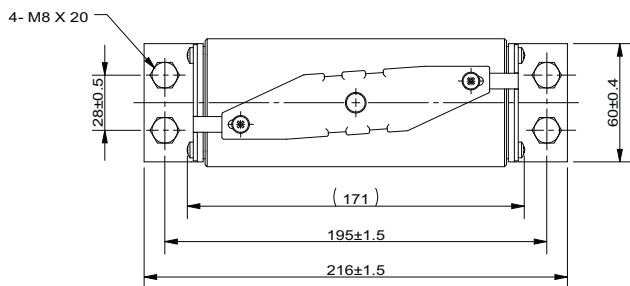
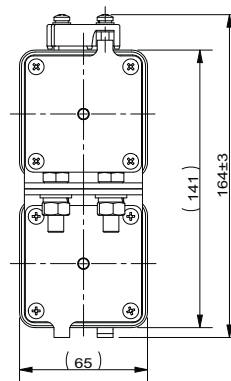
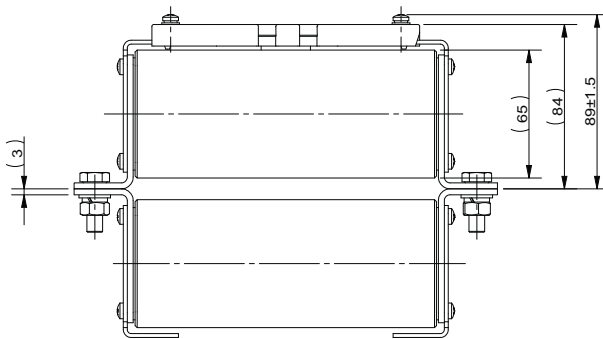


Square Body High Speed Traction Fuse Links for Third Rail Applications 20A to 600A, 2000Vdc

170M2039 to 170M2043 - Double Slot Tag - 160 to 400A



170M2044 to 170M2045 - Parallel Double Slot Tag - 500 to 600A



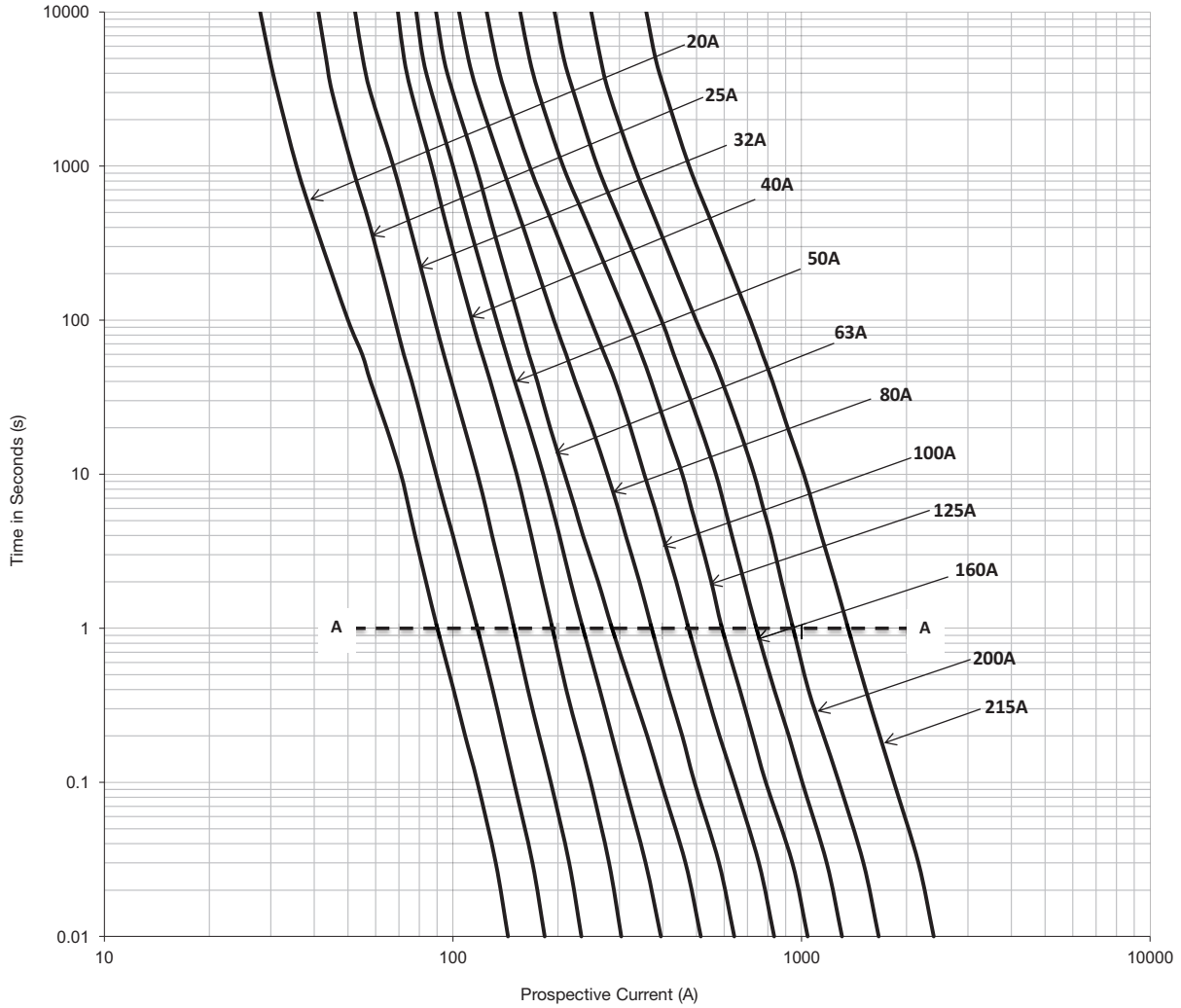
Square Body High Speed Traction Fuse Links for Third Rail Applications 20A to 600A, 2000Vdc

Technical Data

Part Number	Fuse Link Type	Rated Voltage (Vdc)	Rated Current (Amps)	Energy Integrals I ² t (A ² s)		Watts Loss (W)	
				Pre-Arcing	Total at 2000Vdc	0.8 I _n	I _n
170M2046	Single Slot Tag	2000	20	85	240	9	12
170M2047			25	130	390	9	16
170M2048			32	220	645	11	18
170M2049			40	390	1140	12	20
170M2050			50	610	1780	17	33
170M2051			63	1030	3000	20	39
170M2052			80	1555	4550	28	53
170M2053			100	2680	7840	33	63
170M2054			125	4110	12,020	42	79
170M2055			160	6620	19,360	45	87
170M2056			200	10,720	31,360	50	95
170M2057			215	21,870	64,000	51	97
170M2039			Double Slot Tag	2000	160	7875	75,960
170M2040	200	12,300			118,670	85	113
170M2041	250	21,870			211,000	100	133
170M2042	315	38,880			375,110	119	158
170M2043	400	65,710			633,965	148	176
170M2044	Parallel Double Slot Tag	2000	500	113,000	174,000	109	230
170M2045			600	200,700	309,000	153	305

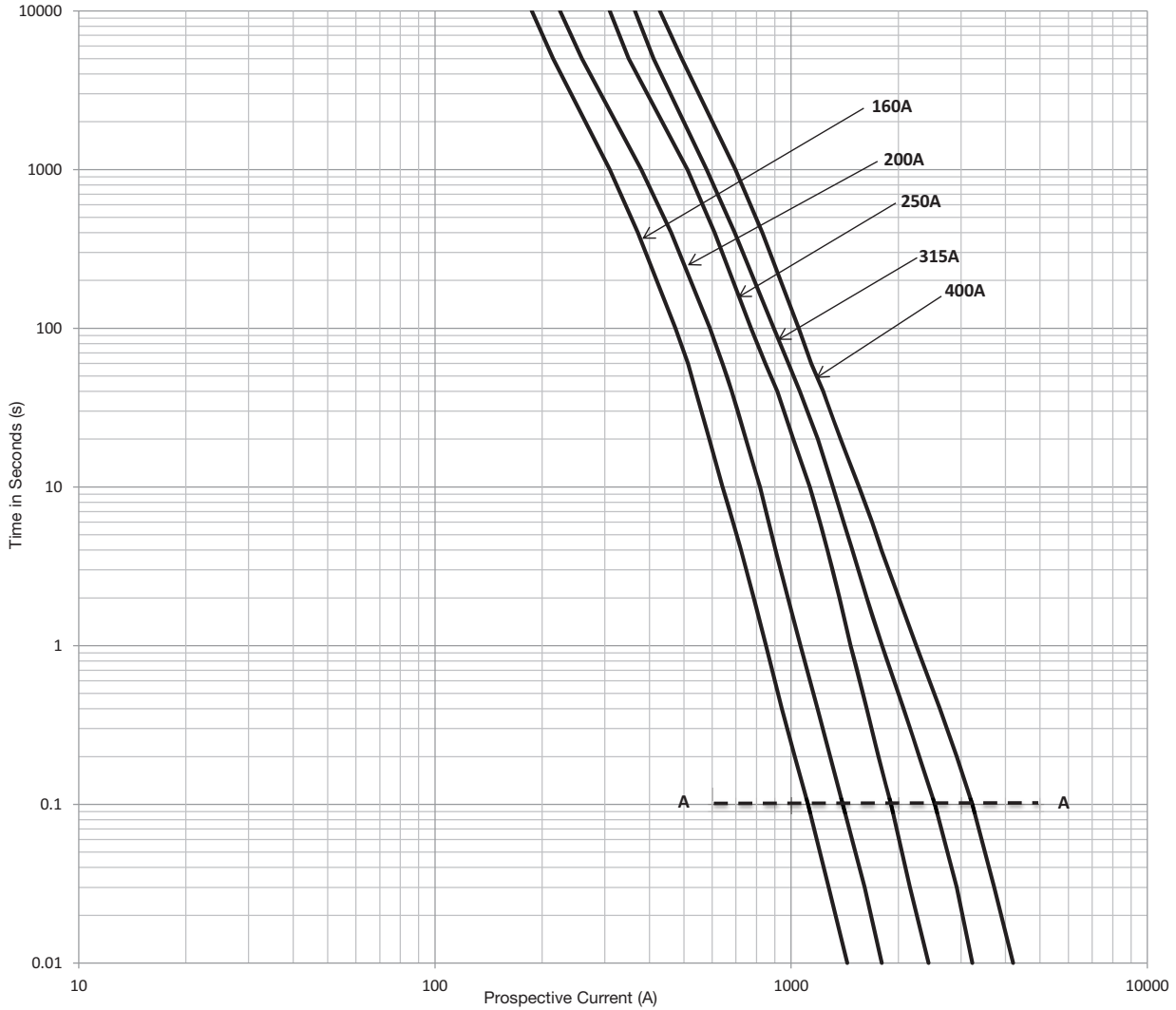
Square Body High Speed Traction Fuse Links for Third Rail Applications
20A to 600A, 2000Vdc

Time-Current Characteristics
170M2046 to 170M2057 - 20A to 215A - Single Slot Tag



Square Body High Speed Traction Fuse Links for Third Rail Applications
20A to 600A, 2000Vdc

Time-Current Characteristics
170M2039 to 170M2043 - 160A to 400A - Double Slot Tag



Square Body High Speed Traction Fuse Links for Third Rail Applications
20A to 600A, 2000Vdc

Time-Current Characteristics
170M2044 and 170M2045 - 500A to 600A - Parallel Double Slot Tag

