

Surge Protection Made Simple™ for Wind Power Applications

IEC Class II Surge Arrester for 230, 400 and 690 Volt, TNC Systems



Description

The Cooper Bussmann® IEC Class II 230, 400 and 690 volt three-pole, modular surge arresters feature local, *easyID*™ visual indication and optional remote contact signaling. The unique module locking system fixes the protection module to the base part. Modules can be easily replaced without tools by simply depressing the release buttons. Integrated mechanical coding between the base and protection module ensures against installing an incorrect replacement module.

TNC System Arresters

The features of these three-pole devices are for use as a single device.

Remote Signaling Contact

The three-pole terminal remote signaling contact versions have a floating changeover contact for use as a break or make contact, according to circuit concept.



BSPM3230WE(R)
BSPM3400WE(R)
BSPM3690WE(R)

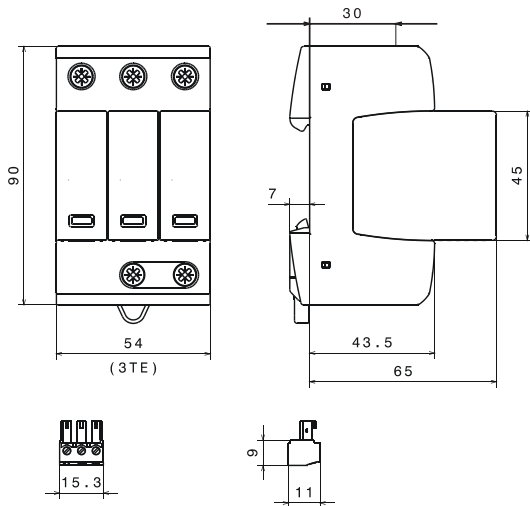
easyID™
Visual Status Indication



Remote Signal Contact Available

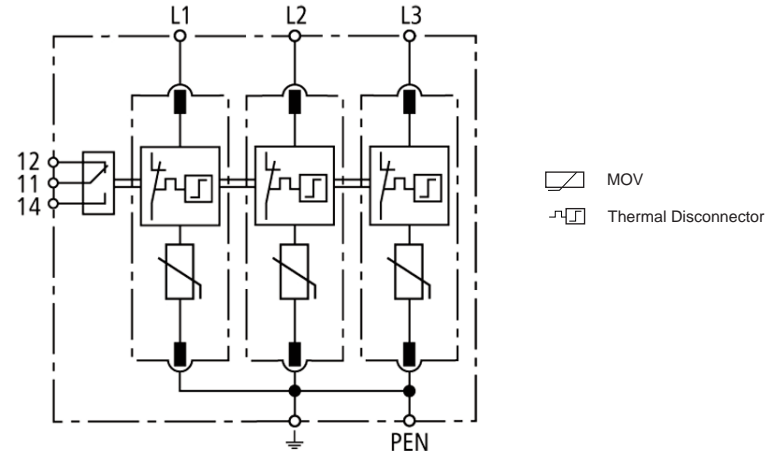


Dimensions - mm



Module Circuit Diagrams -

Shown with optional remote contact signaling



BSPM3230WE(R)
BSPM3400WE(R)
BSPM3690WE(R)

Shown with optional remote contact signaling

Ordering Information				
System Voltage/Poles		230V/3	400V/3	690V/3
Max. Continuous Operating AC voltage (MCOV) [U _C]		275V	440V	600V
Catalogue Numbers (Base + Modules)	Without Remote Signaling	BSPM3230WE	BSPM3400WE	BSPM3690WE
	With Remote Signaling	BSPM3230WER	BSPM3400WER	BSPM3690WER
Replacement Modules		BPM275WE	BPM440WE	BPM750WE
Specifications				
Line System Type		TNC	TNC	TNC
Nominal AC Voltage [UN]		230/400V	400/690V	600V
Rated Varistor Voltage [U _{mov}]		275V	440V	750V
Nominal Discharge Current (8/20μs) [I _n]		20kA	20kA	15kA
Max Discharge Current Current (8/20μs) [I _{max}]		40kA	40kA	25kA
Voltage Protection Level [U _p]		≤1.25kV	≤2kV	≤3kV
Voltage Protection Level at 5kA [U _p]		≤1kV	≤1.7kV	≤2.5kV
Response Time [t _A]		≤25ns	≤25ns	≤25ns
Max. Mains-side Overcurrent Protection		125A gL/gG	125A gL/gG	100A gL/gG
Short-Circuit Withstand Capability for Max. Mains-Side Overcurrent Protection		50kA _{rms}	25kA _{rms}	25kA _{rms}
Temporary Overvoltage (TOV) [U _T]		335V/5sec.	580V/5sec.	900V/5sec.
Standards Information		KEMA	--	KEMA
SPD According to EN 61643-11		Type 2		
SPD According to IEC 61643-1		Class II		
TOV Characteristics		Withstand		
Operating Temperature Range [T _U]		-40°C to +80°C		
Operating State/Fault Indication		Green (good)/Red (replace)		
Number of Ports		1		
Cross-Sectional Area (min.)		1.5mm ² /14AWG solid/flexible		
Cross-Sectional Area (max.)		35mm ² /2AWG stranded-25mm ² /4AWG flexible		
Mounting		35mm DIN rail per EN 60715		
Enclosure Material		Thermoplastic, UL94V0		
Location Category		Indoor		
Degree of Protection		IP20		
Capacity		3 Mods., DIN 43880		
Standards Information		KEMA		
Product Warranty		Five Years*		
Remote Contact Signaling				
Remote Contact Signaling Type		Changeover Contact		
AC Switching Capacity (Volts/Amps)		250V/0.5A		
DC Switching Capacity (Volts/Amps)		250V/0.1A; 125V/0.2A; 75V/0.5A		
Conductor Ratings and Cross-Sectional Area for Remote Contact Signal Terminals		60/75°C Max. 1.5mm ² /14AWG Solid/Flexible		
Ordering Information		Order from Catalogue Numbers Above		

* See Cooper Bussmann SPD Limited Warranty Statement (3A1502) for details at www.cooperbussmann.com/surge.

Recommended Cooper Bussmann Back Up Fuse	
DIN Fuse Link Size	NH Fuse Link Part Number
00	100NHG00B-690
	125NHG00B-690

The only controlled copy of this Data Sheet is the electronic read-only version located on the Cooper Bussmann Network Drive. All other copies of this document are by definition uncontrolled. This bulletin is intended to clearly present comprehensive product data and provide technical information that will help the end user with design applications. Cooper Bussmann reserves the right, without notice, to change design or construction of any products and to discontinue or limit distribution of any products. Cooper Bussmann also reserves the right to change or update, without notice, any technical information contained in this bulletin. Once a product has been selected, it should be tested by the user in all possible applications.