

1/4" (6x32mm) Ferrule Fuse Series Carry a Variety of Time-Current Performance Characteristics

1. Extensive Offering

- Cooper Bussmann carries a complete line of both Fast-Acting and Time-Delay 1/4" Fuses, in both Low-Breaking Glass, and High-Breaking Ceramic constructions.
- Cooper Bussmann's 1/4" Fuse Family carries the UL/CSA approvals across the entire amperage range, including the higher 20-30A products. The higher wattage requirements of today's end products mean these higher amperage fuses are specified more and more.
- The Very Fast-Acting GBB Series provides primary circuit protection at an industry leading 250V/200A breaking capacity across its 1-30A offering. The GBB is designed for electronic applications, which are extremely sensitive to overcurrent conditions.

2. Fuse Accessories

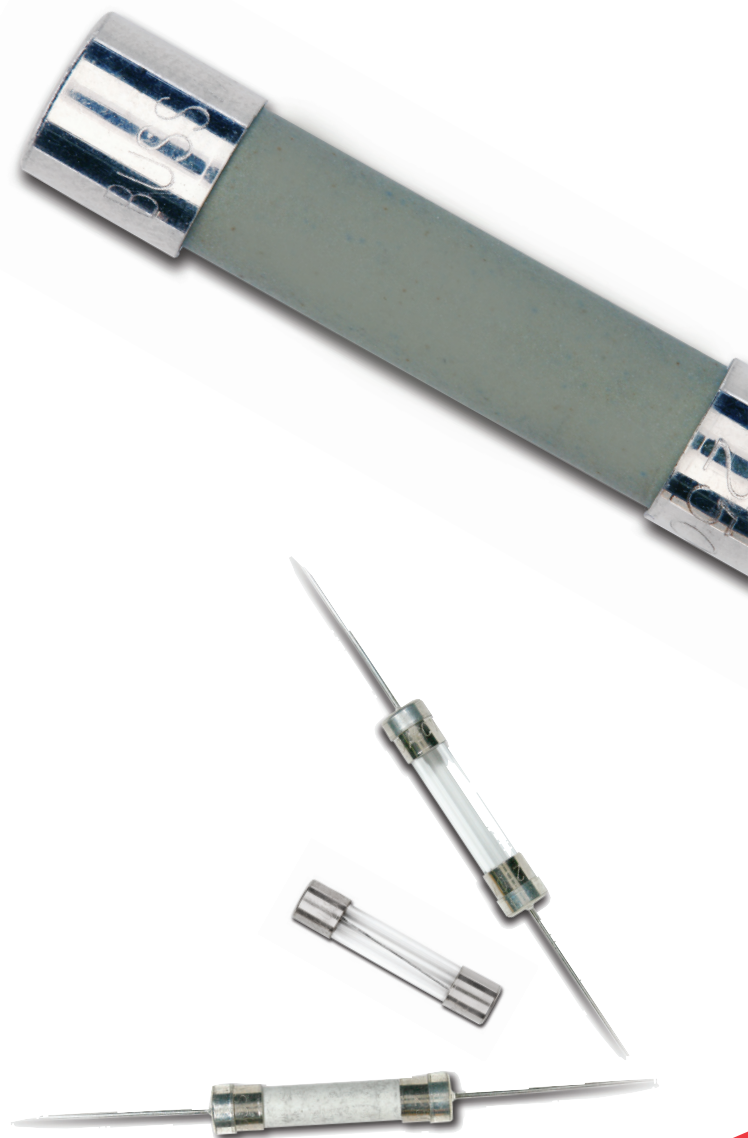
Cooper Bussmann offers a full line of fuse accessories such as clips, holders, and blocks, which can complete any 1/4" fuse application need. See back for additional information.

3. RoHS Compliant

The 1/4" fuses from Cooper Bussmann are available in a RoHS compliant product option, by adding a "-R" suffix to the base part number.

4. Packaging Options

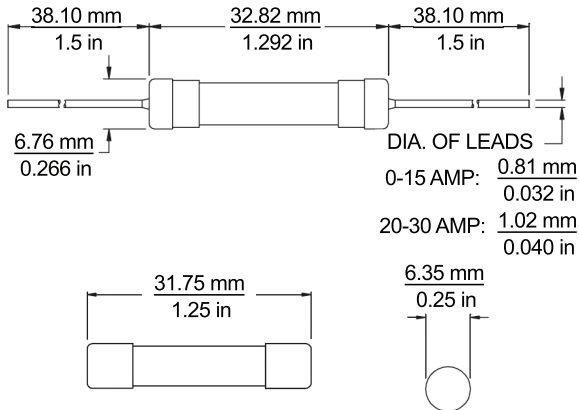
Cooper Bussmann offers a variety of packaging options to meet your production needs. These range from the 5 pack tins to 100 or 1000 pack boxes. When Axial Leads (-V) are specified for Thru-Hole Mounting, a Tape and Reel (TR2) packaging option is also available.



1/4" (6x32mm) Ferrule Fuse Family Specifications



Product Dimensions (mm/in):



1/4" Fuse Family Detail and Quick Cross Reference:

Style	Cooper Bussmann	Littelfuse
FA Glass	AGC	312
FA Ceramic	ABC	314
Very FA Ceramic	GBB	322
TD Glass	MDL	313
TD Ceramic	MDA	326
FA Glass w/ Leads	AGC-V	318
FA Ceramic w/ Leads	ABC-V	324
TD Glass w/ Leads	MDL-V	315
TD Ceramic w/ Leads	MDA-V	325

FA = Fast Acting
TD = Time Delay

Application Note:

Power supplies play a critical role in the operation of virtually all industrial and consumer electronic devices. These power supplies convert high voltage AC electricity from the wall outlet to the low voltage DC power used to power today's electronic products. Thus, they require primary circuit protection, as the device can be exposed to dangerous overcurrent events.

The 1/4" (6x32mm) Fuse Series are used in a variety of power supply applications geared towards both the industrial and consumer electronic devices. The ceramic bodied fuse series (ABC/MDA/GBB) are designed specifically for the higher power applications. They are often specified for use in Uninterruptible Power Supplies (UPS), and for both server and telecom power.

When coupled with one of Cooper Bussmann's extensive fuse accessory product offerings, these fuses can be conveniently inserted into a circuit while allowing for end-user replacement if desired.



Typical Applications:

- White Goods
- Medical Equipment
- Vacuums
- Lighting Ballasts
- Meters/Readers
- Power Supplies
- UPS
- Server
- Telecom
- Switch Mode Power Supply (SMPS)

1/4" Fuse Accessory Reference Guide:

Size	PC Board Fuse Clip (Qty. 2)	PC Board Mount Holder	Panel Mount Holder	In-Line Fuse Holder	Fuseblock
1/4" x 1-1/4"	1A1907	HBH-I / HBV-I	HTB / HKP	HRK / HHB / HFA	S-8000

Our mission is to be the first choice for target customers seeking application specific power management and protection solutions in the Digital Home & Office and Mobile Electronics world.

COOPER Bussmann

©2007 Cooper Bussmann • Boca Raton, FL 33487
561-998-4100 • www.cooperbussmann.com

B-SS 1/4" Fuse 2007-02

