

22x58mm Modular Fuse Holder



1-Pole



3-Pole



1-Pole with microswitch

Catalogue Symbol:

- CH22(# of poles)**B**: standard fuse holder
- CH22(# of poles)**BN**: standard fuse holder and neutral
- CH22(# of poles)**BMS**: fuse holder with microswitch (fuse operation)

Compatible Fuse Links:

C22G and C22M 22x58mm fuse links
FW ferrule fuse links*, see table below

| Part Number | Maximum Continuous Fuse Current |
|-------------|---------------------------------|
| FWP-20A22F | 20 |
| FWP-25A22F | 25 |
| FWP-32A22F | 32 |
| FWP-40A22F | 40 |
| FWP-50A22F | 50 |
| FWP-63A22F | 58 |
| FWP-80A22F | 66 |
| FWP-100A22F | 77 |

*Please contact Cooper Bussmann Application Engineers if you wish to use a FWP fuse link with a striker option.

Standards/Certifications:

- IEC 60269-1, 60269-2, 60947-1, 60947-3
- UL Recognised (CH22xB and CH22xBN only)

Description: Compact DIN-Rail mount fuse holders for 22x58mm cylindrical fuse links. Available in different versions with neutral and microswitch.

Packaging: 1-pole: 6 per pack
2-pole: 3 per pack
3-pole: 2 per pack
4-pole: 1 per pack

Technical Data:

Number of Poles: 1 to 4

| CH22B Series | IEC | UL |
|---------------|--------|--------|
| Rated Voltage | 690Vac | 750Vac |
| Rated Current | 125A | 100A |
| SCCR | 200kA | 200kA |

| Microswitch | IEC | UL |
|---------------|--------|--------|
| Rated Voltage | 250Vac | 250Vac |
| Rated Current | 5A | 5A |

Rated Power Acceptance: 9.5W
Utilisation Category: 125A at AC-21B 690V
Pollution Degree: 3
Protection Index: IP20 Finger-safe*
Rated Insulation Voltage: 8kV U_{imp}
Conductors (Cu only): 1.5-35mm² stranded
1.5-50mm² solid
14-1 AWG solid cable, Cu only
Maximum Torque: 4N•m
Operating Temperature Range: -20°C to 70°C
Storage Temperature Range: -40°C to 80°C
Mounting: 35mm DIN-Rail

* Requires using protection accessory CH22-IP20 and 10mm² or less conductors.

Environmental

- RoHS compliant

Features

- Silver-plated copper contacts
- Engineered polymer enables greater performance with melting temperature in excess of 300°C
- Ventilation zones optimized for a better heat dissipation
- Accessory to isolate the fuse holder via a padlock
- IP20 security accessory to improve protection
- Label holder for easy circuit identification

22x58mm Modular Fuse Holder



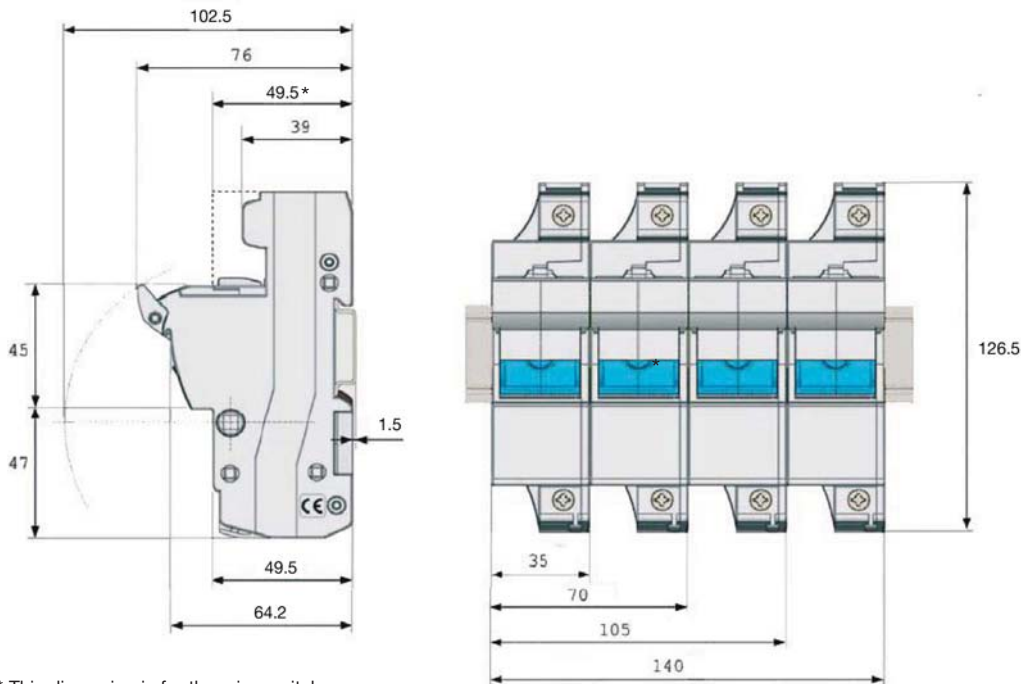
Part Numbers System

| Old Part Number | New Part Number | Number of Poles | Description |
|-------------------------------------|-----------------|-----------------|--|
| Neutral Only | | | |
| CH221DNX | CH221BNX | 1 | Neutral holder |
| Fuse Holder Only | | | |
| CH221D | CH221B | 1 | 1-pole fuse holder |
| CH222D | CH222B | 2 | 2-pole fuse holder |
| CH223D | CH223B | 3 | 3-pole fuse holder |
| CH224D | CH224B | 4 | 4-pole fuse holder |
| Fuse Holder and Neutral | | | |
| CH221DN | CH221BN | 2 | 1-pole + neutral fuse holder |
| CH223DN | CH223BN | 4 | 3-pole + neutral fuse holder |
| Fuse Holder with Microswitch | | | |
| CH221DMS | CH221BMS | 1 | 1-pole fuse holder with microswitch (fuse operation) |
| CH223DMS | CH223BMS | 3 | 3-pole fuse holder with microswitch (fuse operation) |

Accessories

| Part Number | Description | Unit Packing |
|-------------|---|--------------|
| AL-D | Multi-pole ganging clips, one kit will gang up to 4-poles together | 12 |
| CH14-HP | Multi-pole handle pins, one kit will gang up to 12 handles together | 12 |
| CH22-L | Lockout padlock support, it will accept up to 5mm diameter padlock shank | 5 |
| CH22-IP20 | IP20 protection accessory, provides IP20 protection to terminals with 10mm ² or less cable | 12 |
| CH22-MS1 | 1-pole microswitch accessory, for blown fuse link monitoring | 5 |
| CH22-MS3 | 3-pole microswitch accessory, for blown fuse link monitoring | 3 |

Dimensions (mm)



* This dimension is for the microswitch